

**Kunde / Customer****Ohio Transmission & Pump / Kraft Foods**

Vertretung/ Agency

MIC USA

**Bestelltext /How to order**

Typ / Type

Feedback Unit

Bestellbezeichnung / Ordering Part Number:

FR90 R1:1 AMCI R11X-J10/7

Bauvorschrift / specification

FB-TD5125

Micron Reference

TD 9000.00.041

36-306-670-1532

**Resolver****Resolver R1** (Size 11 /  $\varnothing$  27)

Ratio +1 : +1

Resolver

**Harowe 11BRCX-300-J95-01 or AMCI R11X-J10/7**

Speed

1

Accuracy +- Arc Min

7

Frequency (Hz)

5000

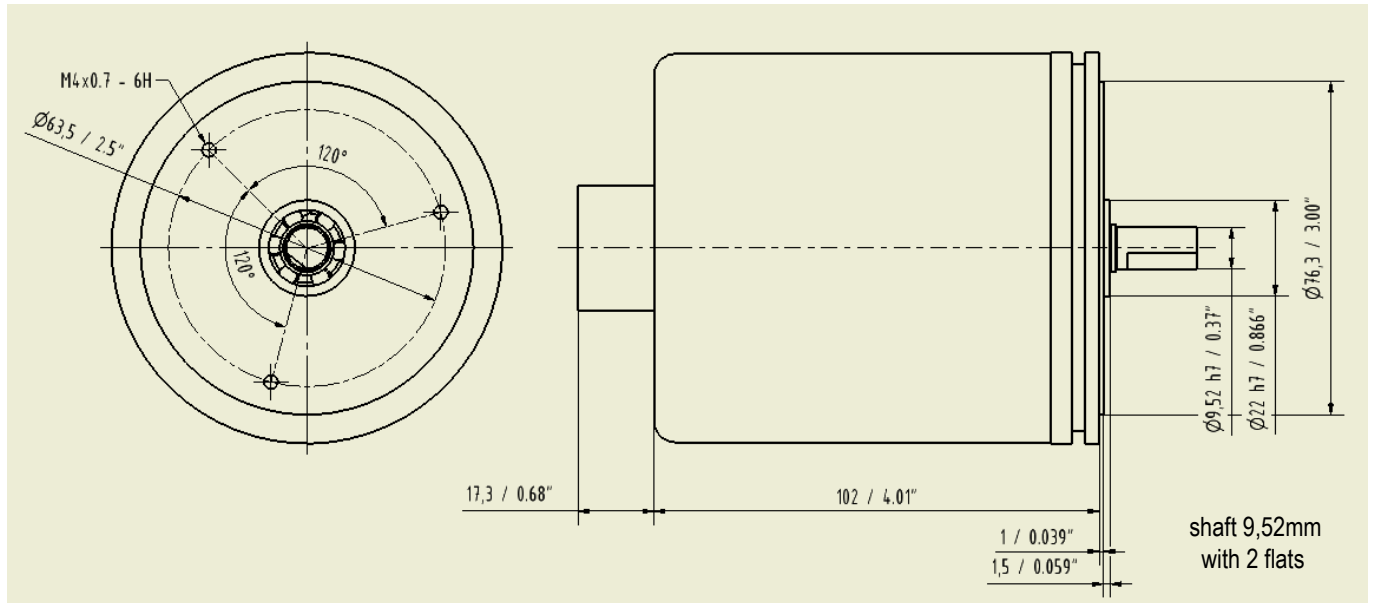
Transformation Ratio (Vout/Vin)

0, 95

**Elektrische Verdrahtung / electrical wiring (MS 3102A-18-1P 10Pin)**

Wire colour	Resolver	Function	Connector / pin no.
Red/White	R1	Rotor 1	A
Black/White	R1	Rotor 2	B
--	--	--	C (No Connection)
Red	R1	Stator 1	F
Yellow	R1	Stator 2	E
Black	R1	Stator 3	D
Blue	R1	Stator 4	G
--	--	--	H (No Connection)
--	--	--	I (No Connection)
--	--	--	J (No Connection)

## Massbild / Dimension



## Label

**Feedback Unit**FRE R1:1 M10 per **9000.00.041**MADE IN SWITZERLAND BY MICRONOR

US +1-805-499-0114

CH +41-44-843-4020

WWW.MICRONOR.COM