

Customer

Selecting table
Type
Design

PCMC

Handy-Encoder
Handy-Encoder with knob, 50ppr
TD 9100.00.013

Technical data:

Outline drawing:
Shaft Load
Protection class

63.7 x 63mm
Max. 80N Radial, Max. 40N Axial
IP55

Handy Encoder

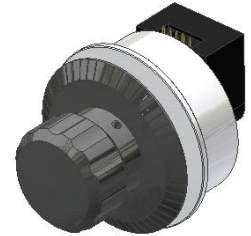
Clicks per Revolution
Pulses
Micron Reference
PCMC Reference

50, hardness standard
2 pulses per click
39-410-986-2187
112395

Internal Encoder

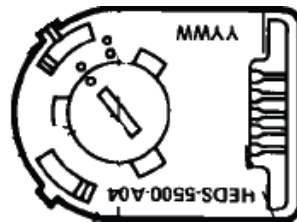
Type
Operating/Storage Temperature
Supply Voltage (Vcc)
Output-Low
Output-High

AVAGO HEDS-5500#C14
-40°C to 100°C
4.5V to 5.5V
<0.5V
>2.4V



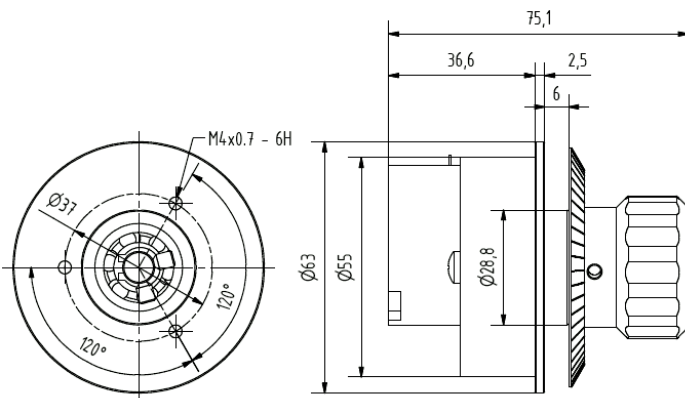
Electrical Connection

PIN	Parameter	Color
1	Ground	Black
2		
3	CH. A	White
4	Vcc	Red
5	CH. B	Brown



PIN 5 – CH.B
PIN 4 – Vcc
PIN 3 – CH.A
PIN 2 – •
PIN 1 – GND

Reference Drawing



Recommended Connectors

Manufacturer	Part Number
AMP	103686-4 640442-5
Dupont/Berg	65039-032 with 4825X-000 term.
Avago (designed to mechanically lock into the HEDS-5XXX, HEDM-5X0X Series)	HEDS-8902 (2 ch.) with 4-wire leads HEDS-8903 (3 ch.) with 5-wire leads
Molex	2695 series with 2759 series term.

Label

Handy Encoder, 50ppr PCMC 112395

MICRONOR P/N 9100.00.013 App.Nr. M-XXXXXX

USA +1-805-499-0114 sales@micronor.com

CH +41-44-843-4020 www.micronor.com

Technische Änderungen vorbehalten / Subject to change without prior notice / sous réserve de modifications techniques