

Kunde / Customer
Vertretung / Agency
 Ordering Part Number

Paper Converting Machines Company (PCMC)
MICRONOR USA
 9600.00.012

Type
 Bauvorschrift / Date sheet
 Micron Reference
 Replaces PCMC Part Number
 Assigned PCMC Part Number

Resolverunit
 TD 9600.00.012
 36-513-113-5642
 141299.609.0 / 87590
 125102

Resolver R1 (Size 11 / \varnothing 27)
 Resolver Nr.
 Speed
 Accuracy +- Arc Min
 Frequency (Hz)
 Transformation Ratio (Vout/Vin)

(Direct Drive 1:1)
 Harow **11BRW-300-F-95A** or **AMCI R11W-F10/3**
 1
 3
 2500
 0,5

Housing
 Protection

IP 64

Electrical connection

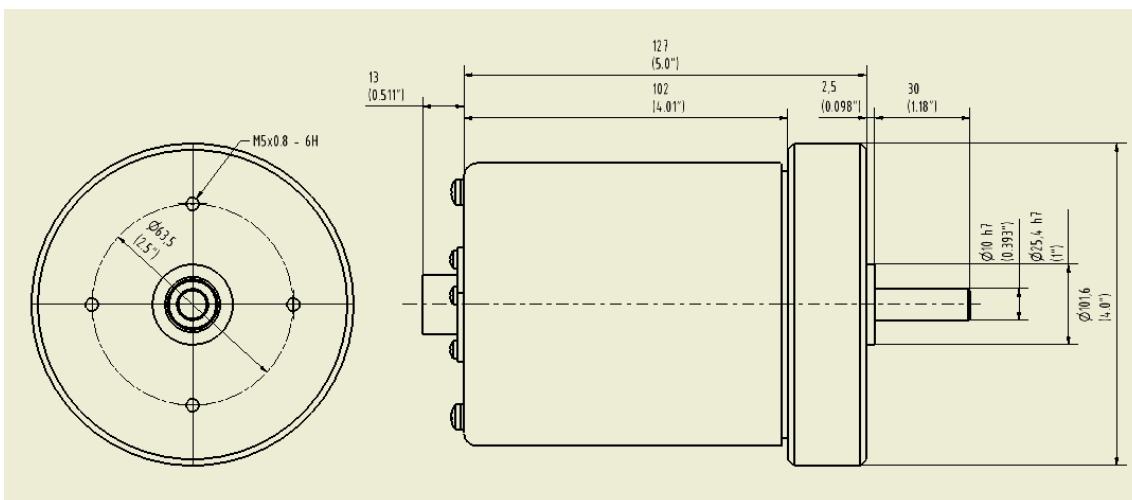
Wire color	Function R1	PIN-Nr. MS3112E-12-10P Receptacle
Blue	Stator 4	A
Yellow	Stator 2	B
Black	Stator 3	C
Red	Stator 1	D
Yellow/White	Rotor 2	E
Red/White	Rotor 1	F
Yellow/Green	Ground (Housing)	G
--	(No connection)	H
--	(No connection)	J
--	(No connection)	K

Label

Feedback Transducer App-Nr.-
 Replacement Micron 36-513-113-5642
 PCMC Part Number 125102

MADE IN SWITZERLAND BY MICRONOR 9600.00.012
 US +1-805-499-0114
 CH +41-44-843-4020 WWW.MICRONOR.COM

Massbild /Dimensions



Updated 4-May-2009