

1 Gang-Potentiometer mit Endschalter Serie **HPF**
 1 Turn-Potentiometer with limit switches

- **Feindrahtpotentiometer** R1...R3 (5W)
Wire-wound potentiometer
- **Widerstandswerte** 100R...10K (Ω)
Resistance
- **Nutzkontakte** (frei programierbar) 1...4
Program channels free setting
- **Türeinbau, Frontbefestigung**
Panel mounting, Door installation
- **Mechanischer Endanschlag zum Schutze der Potentiometer**
Solid mechanical stops for potentiometer protection

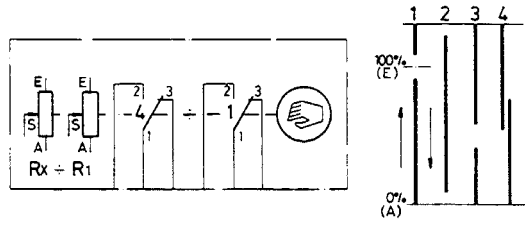


Bestelltext Typ Potentiometer	How to order Type Potentiometer	Potentiometer mit Endschalter HPF 2 R2 R1 = 100R / R2 = 50K (DPC)
--	--	--

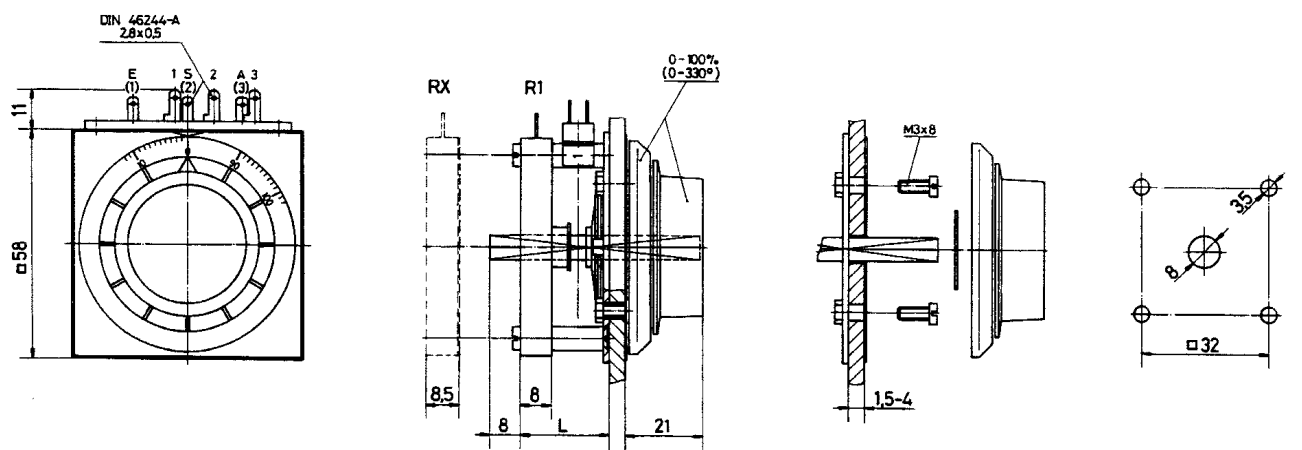
Bestellschlüssel	Order key	HPF x R x																												
Serie Fronteinbau	Serie Panel mount	<table border="1" style="width: 100%; text-align: center;"> <tr> <td>0</td> <td>1</td> <td>2</td> <td>3</td> <td>4</td> <td></td> </tr> <tr> <td>-</td> <td>-</td> <td>-</td> <td>2</td> <td>2</td> <td>(NK4101.20°)</td> </tr> <tr> <td>-</td> <td>1</td> <td>2</td> <td>1</td> <td>2</td> <td>(NK4201)</td> </tr> <tr> <td>19</td> <td>23</td> <td>31</td> <td>46</td> <td>54</td> <td></td> </tr> </table>					0	1	2	3	4		-	-	-	2	2	(NK4101.20°)	-	1	2	1	2	(NK4201)	19	23	31	46	54	
0	1						2	3	4																					
-	-						-	2	2	(NK4101.20°)																				
-	1						2	1	2	(NK4201)																				
19	23	31	46	54																										
Anzahl Schalter Endlagenkontakte einstellbar Nutzkontakte (frei programierbar) Mass (L) mm	Number of switches Adjustable limit switches Program channels (free setting) Dimension (L) mm																													

Feindrahtpotentiometer	Wire-wound potentiometer	R1...R3 (Typ DPC)				
Widerstandwert / Auflösung	Resistance / Resolution					
100R / 0,131% ¹⁾ 200R / 0,111% 20K / 0,033% ¹⁾ 100K / 0,020% ¹⁾	500R / 0,083% 1K0 / 0,079% ^{1) auf Anfrage / On request}	2K0 / 0,076%	5K0 / 0,059%	10K / 0,044%		

Drehwinkel (mech. / elektr.)	Rotation angle (mech. / electr.)	∠ 330° (0...100%)
Widerstandstoleranz	Resistance tolerance	±5 %
Linearität	Linearity	<0,15 %
Lebensdauer / Umdr.	Rotation life / Turn	1 Mill.
Belastbarkeit	Power rating	5 W (40 °C)
Schleiferstrom	Slider current	100 mA



Massbild / Outline drawing



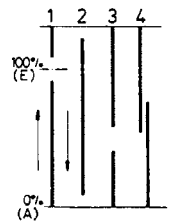
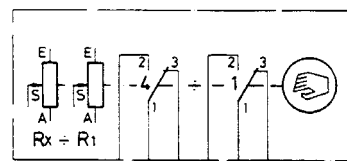
1 Gang-Potentiometer mit Endschalter Serie **HPFF**
 1 Turn-Potentiometer with limit switches



- **Handfeineinstellung mit 5-fach Auflösung**
Manual fine adjustment 5 turn resolution
- **Feindrahtpotentiometer** **R1...R3 (5W)**
Wire-wound potentiometer
- **Widerstandwerte** **100R...10K (Ω)**
Resistance
- **Nutzkontakte** (frei programierbar) **1...4**
Program channels free setting
- **Türeinbau, Frontbefestigung**
Panel mounting, Door installation
- **Mechanischer Endanschlag zum Schutze der Potentiometer**
Solid mechanical stops for potentiometer protection

Bestelltext Typ Potentiometer	How to order Type Potentiometer	Potentiometer mit Endschalter HPFF 2 R2 R1 = 100R / R2 = 50K (DPC)
--	--	---

Bestellschlüssel	Order key	HPFF x R x																								
Serie Handfeineinstellung (5-fach Auflösung)	Serie Manual fine adjustment (5 turn resolution)																									
Anzahl Schalter Endlagenkontakte einstellbar Nutzkontakte (frei programierbar) Mass (L) mm	Number of switches Adjustable limit switches Program channels (free setting) Dimension (L) mm	<table border="1"> <tr> <td>0</td> <td>1</td> <td>2</td> <td>3</td> <td>4</td> <td></td> </tr> <tr> <td>-</td> <td>-</td> <td>-</td> <td>2</td> <td>2</td> <td>(NK4101.20°)</td> </tr> <tr> <td>-</td> <td>1</td> <td>2</td> <td>1</td> <td>2</td> <td>(NK4201)</td> </tr> <tr> <td>19</td> <td>23</td> <td>31</td> <td>46</td> <td>54</td> <td></td> </tr> </table>	0	1	2	3	4		-	-	-	2	2	(NK4101.20°)	-	1	2	1	2	(NK4201)	19	23	31	46	54	
0	1	2	3	4																						
-	-	-	2	2	(NK4101.20°)																					
-	1	2	1	2	(NK4201)																					
19	23	31	46	54																						
Feindrahtpotentiometer	Wire-wound potentiometer	R1...R3 (Typ DPC)																								
Widerstandwert / Auflösung	Resistance / Resolution																									
100R / 0,131% ¹⁾ 200R / 0,111% 20K / 0,033% ¹⁾ 100K / 0,020% ¹⁾	500R / 0,083% 1K0 / 0,079% 2K0 / 0,076% 5K0 / 0,059% 10K / 0,044% ¹⁾ auf Anfrage / On request																									
Drehwinkel (mech. / elektr.)	Rotation angle (mech. / electr.)	∠ 330° (0...100%)																								
Widerstandstoleranz	Resistance tolerance	±5 %																								
Linearität	Linearity	<0,15 %																								
Lebensdauer / Umdr.	Rotation life / Turn	1 Mill.																								
Belastbarkeit	Power rating	5 W (40 °C)																								
Schleiferstrom	Slider current	100 mA																								



Massbild / Outline drawing

