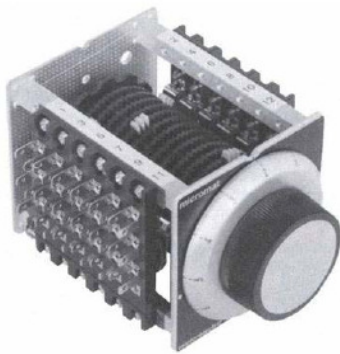


Serie HS



- Programmable programm channel 3 ... 15 (6 ... 30)
- Raster positions (number of steps) 4, 5, 6, 8, 9, 10, 12, 15, 18, 20
- Micro switch standard KS 25 B4
- Breaking capacity 4 A 220 VAC / 1 A 60 VDC
- Front fastening
- Special types on request

Technical data

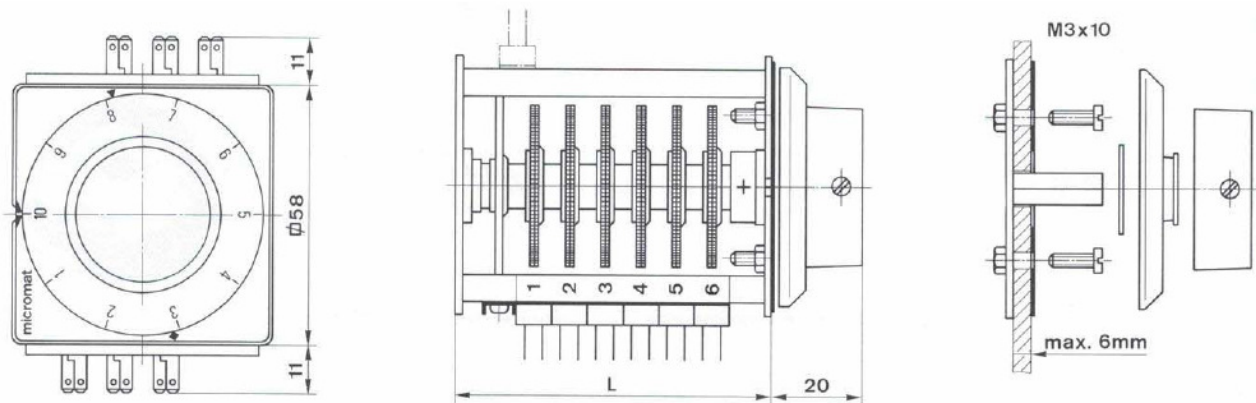
Program plates with clips
Programmable

NP4160 = (6° x 60 = 360°)
NP4172 = (5° x 72 = 360°)

Switch angle = (360° / Knob scale)
Microswitch
Contactmaterial
Breaking capacity
Transfer resistance

KS 25 B4
Ag 999 (silver)
4A 250 VAC / 1A 60 VDC
< 25 mΩ

Outline drawing



Serie HS

Order key

HS 03 4

HS41: Switches on left side
HS42: Switches on both sides
H = Hand operation

Dimension / Size (mm) / Number of switches (at HS42 always x2 compared with HS41!):

	03 -->Dimension 47 mm -->Size (L)
03	= 3 Switches 3 Cams (NP4160.6° or NP4172.5°)
	06 -->Dimension 71 mm -->Size (L)
06	= 6 Switches 6 Cams (NP4160.6° or NP4172.5°)
	21 -->Dimension 191 mm -->Size (L)
21	= 21 Switches 21 Cams (NP4160.6° or NP4172.5°)

Other available Dimensions: 09, 12, 15, 18 Size (L): always + 24 mm

Notch positions (Number of steps) / Switching angel / Graduated knob:

	4 -->Notch position 90° -->Switching angel
4	= 4 -->Graduated knob 4 Cams (NP4160.6°)
	5 -->Notch position 72° -->Switching angel
5	= 5 -->Graduated knob 5 Cams (NP4160.6°)
	6 -->Notch position 60° -->Switching angel
6	= 6 -->Graduated knob 4 Cams (NP4160.6°)
	8 -->Notch position 45° -->Switching angel
8	= 8 -->Graduated knob 8 Cams (NP4172.5°)
	9 -->Notch position 40° -->Switching angel
9	= 9 -->Graduated knob 9 Cams (NP4172.5°)
	10 -->Notch position 36° -->Switching angel
10	= 10 -->Graduated knob 10 Cams (NP4160.6°)

Serie HS

	12 -->Notch position
	30° -->Switching angel
12	= 12 -->Graduated knob
	12 Cams (NP4160.6°)
	15 -->Notch position
	24° -->Switching angel
15	= 15 -->Graduated knob
	15 Cams (NP4160.6°)
	18 -->Notch position
	20° -->Switching angel
18	= 18 -->Graduated knob
	18 Cams (NP4172.5°)
	20 -->Notch position
	18° -->Switching angel
20	= 20 -->Graduated knob
	20 Cams (NP4160.6°)
	24 -->Notch position
	15° -->Switching angel
24	= 24 -->Graduated knob
	24 Cams (NP4172.5°)