

KWG145 SERIES



For Industrial, Crane's and Lockings

- ➔ Easy Limit Switch
- ➔ up to 5 Channels
- ➔ Different micro switches
- ➔ Free programmable cams
- ➔ Protection class IP64
- ➔ Protection against contact

Product description

Heavy duty geared limit switch in plastic housing easy and variable to mount. 100% guard and interlocking drive concept up to the cam. Available in different ratios. The cover is provided with a sealing ring and fixable with 4 screws..

Application

This lightly geared limit switch could used to control every end switch application. With the small weight it would be a good partner in different application.

Technical specifications

Usable Gear Ratio	1:1 – 2500:1	(more on request)
Program channels	1-5	(more on request)
cam	See Order Code	
<i>Snap action switch</i>	See Order Code	
Mechanical life time	> 20 Mill.	
Switching frequency	5 Hz	
Contact chatter time	<4 ms	
Actuating speed	>10 µm/s	
Contact break	0,6 mm	
Contact pressure	0,2 N	
Temperature range	-40 °C +85 °C	
Hysteresis	depend of ratio	
Repeatability	depend of ratio	
Weight	ca. 1,5 Kg	
MTBF (IEC 60050)	ON/OFF 10 Mio cycle 200'000 hours	
Rotation speed	max. 1500 U/min	
Shaft load	radial 450N, axial 200N	
Protection	IP 66 EN 60 529	
Shock resistance	2500m/s ² , 6ms IEC 68-2-27	
Vibrations resistance	200 m/s ² , 10....2000 Hz IEC 68-2-6	

KWG145 SERIES



Micro switches types

Ordercode	Picture	Description
0		KS25B4 changeover contact for cable shoe 2.8x0.55mm silver contact switching current 4A 250 VAC / 1A 60VDC
1		KS26B4 changeover contact for cable shoe 2.8x0.55mm gold contact switching current 4A 250 VAC / 1A 60VDC
2		S840 V20 changeover contact for cable shoe 6.3x0.9mm silver contact switching current 10A 250V AC / 6A 24V DC
3		S870 W changeover with screwed silver contact switching current 10A 250V AC / 6A 24V DC
4		S845 controlled opening switch gold contact switching current 10A 250V AC / 6A 24V DC
5		Simplex switch gold contact MIL-standard switching current 1 A 125 VAC / 0,5 A 28 VDC
6		Duplex switch gold contact MIL-standard switching current 1 A 125 VAC / 0,5 A 28 VDC

KWG145 SERIES



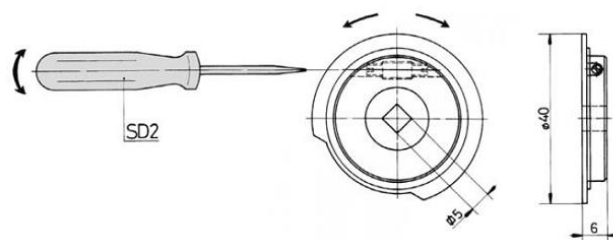
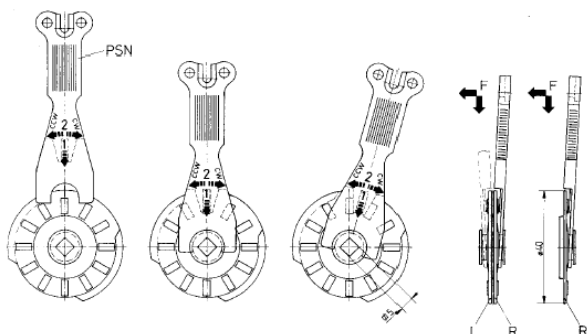
Cam types and adjustment

Type	Ordercode	Picture	Description
NK Cams	0		single cam
			adjustable with included PSN Key
			available with 20 ° / 60° / 90° / 180° opening angle
			Material: Grilon T300
NK Cams	1		double cam
			adjustable with included PSN Key
			free programmable from 6° - 180°
			Material: Grilon T300
NV Cams	2		single cam
			adjustable with included screwdriver
			available with 20 ° / 60° / 90° / 180° / opening angle
			Material: Grilon T300
NV Cams	On request		double cam
			adjustable with included screwdriver
			free programmable from 6° - 180°
			Material: Grilon T300

Adjusting guideline of NV/ NK cams

To adjust the NK cam use the PSN key with levelling the cam and turn

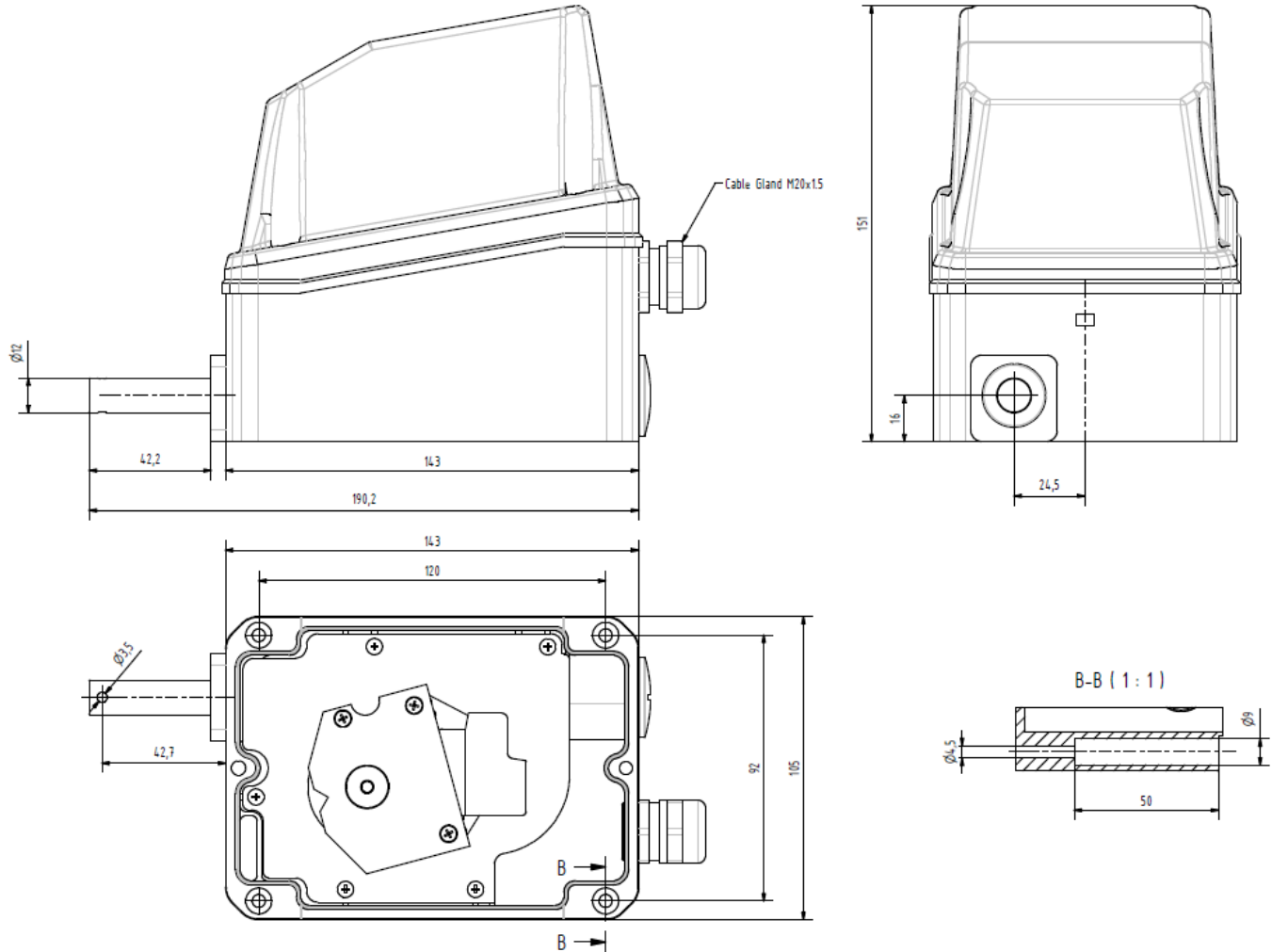
To adjust the NV cam use SD screwdriver an turn the small screw.



KWG145 SERIES



Dimension in mm



KWG145 SERIES



Order code

		918	X.	X	X.	X	X	X
		RATIO						
0	1 : 1							
1	2 : 1							
2	4 : 1							
3	12,5 : 1							
4	25 : 1							
5	40 : 1							
6	100 : 1							
7	200 : 1							
8	750 : 1							
9	2500 : 1							
		INTERFACE						
0	none							
1	MR 265 interface 4-20mA							
		NUMBER OF SWITCH						
0	2 switches							
1	3 switches							
2	4 switches							
3	5 switches							
		TYPE OF SWITCH						
0	KS25B4 changeover contact for cable shoe 2.8x0.55mm silver contact							
1	KS26B4 changeover contact for cable shoe 2.8x0.55mm gold contact							
2	S840 V20 changeover contact for cable shoe 6.3x0.9mm silver contact							
3	S870 W changeover with screwed silver contact							
4	S845 controlled opening switch gold contact							
5	Simplex switch gold contact MIL-standard							
6	Duplex switch gold contact MIL-standard							
		CAM						
0	Single cam NK4101							
1	Double cam NK4201							
2	Single cam NV4101							
3	Double cam NV4201							
		CAM PROFILE						
0	20° recess							
1	60° recess							
2	90° recess							
3	180° recess							
4	blinker cam 15x12°							
5	20° boost							
6	60° boost							
7	90° boost							
8	180° boost							



Questions ?

Phone: +41 (0)44 843 40 20 or Mail: sales@micronor.ch