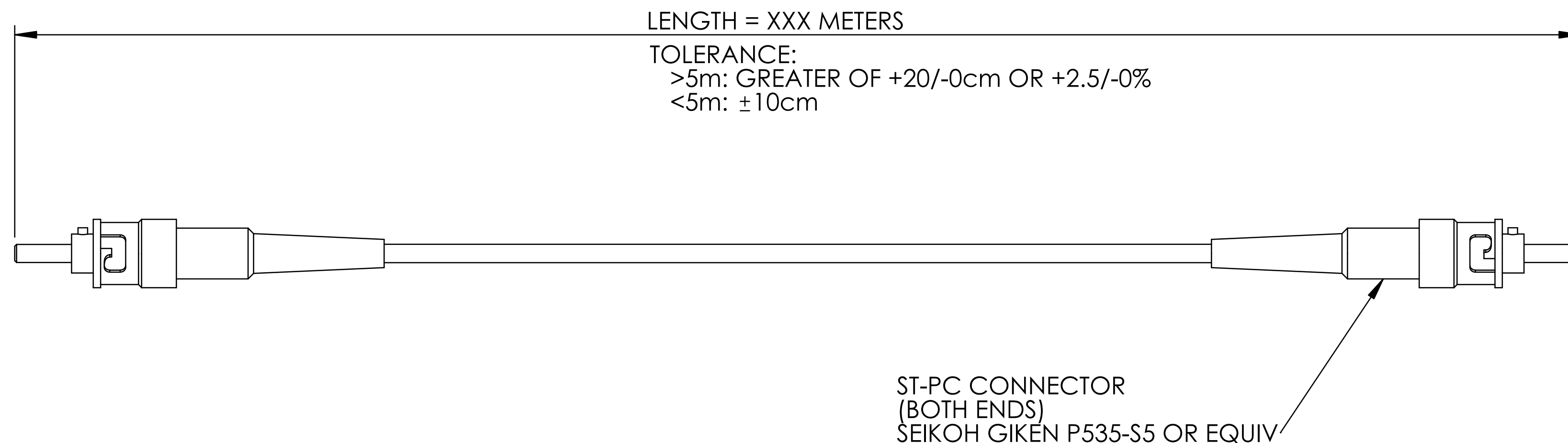
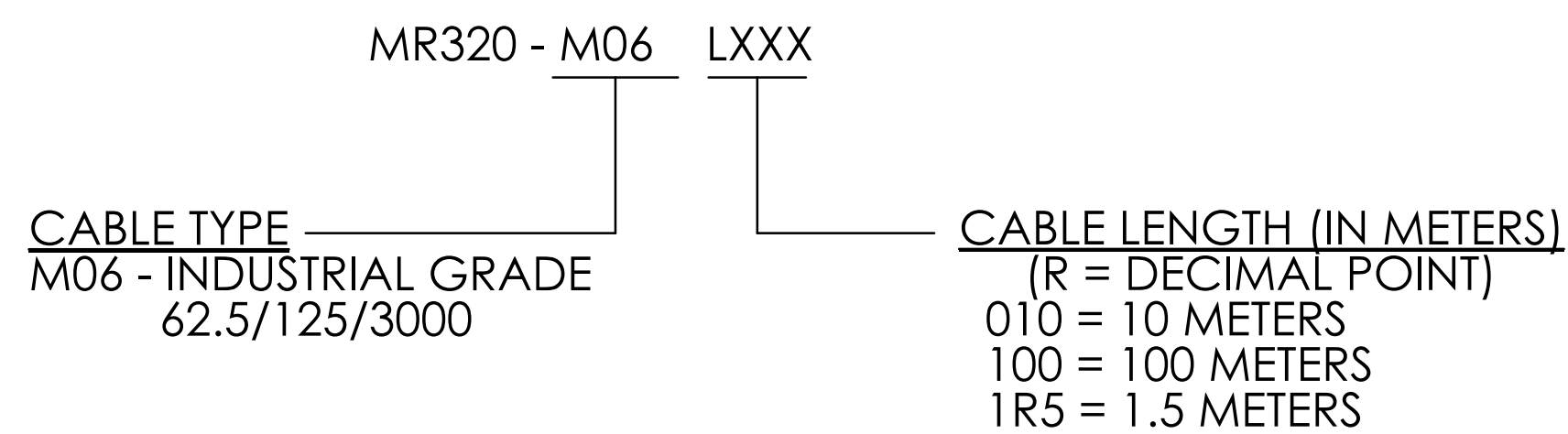


REVISIONS			
REV.	DESCRIPTION	DATE	APPROVED
X1	NEW RELEASE	7-13-05	RGB



PART NUMBER ORDERING CODE



3. OPTICAL PERFORMANCE  
 IL : ≤ 0.25dB PER TIA-455-171A, METHOD D3.  
 RL: > 40dB PER TIA-455-8.
2. WARNING: DO NOT DROP CABLE ASSY. DROPPING OR OTHER SEVERE SHOCK IMPACTS MAY DAMAGE CABLE ASSY.
1. WARNING: KEEP CONNECTOR COVERS IN PLACE DURING STORAGE, TO PROTECT FIBER OPTIC INTERFACES.

NOTES: UNLESS OTHERWISE SPECIFIED

UNLESS OTHERWISE SPECIFIED: DIMENSIONS ARE IN INCHES TOLERANCES: ANGULAR: ±.5° TWO PLACE DECIMAL ±.02 THREE PLACE DECIMAL ±.005 FOUR PLACE DECIMAL ±.0010	DRAWN	R BOYER	7-13-05	MICRONOR INC. NEWBURY PARK, CA (805) 499-0114  <b>TITLE:</b> <b>ST-ST FIBER OPTIC CABLE ASSEMBLY</b>
	CHECKED			
	ENG APPR.			
	MFG APPR.			
INTERPRET GEOMETRIC TOLERANCING PER:	Q.A.			<b>SIZE</b> DWG. NO. <b>REV</b> <b>C</b> MR320-M06LXXX <b>X1</b>
MATERIAL	COMMENTS:			
FINISH				
DO NOT SCALE DRAWING				SCALE: 2:1 WEIGHT: SHEET 1 OF 1

**PROPRIETARY AND CONFIDENTIAL**  
 THE INFORMATION CONTAINED IN THIS DRAWING IS THE SOLE PROPERTY OF MICRONOR CORPORATION. ANY REPRODUCTION IN PART OR AS A WHOLE WITHOUT THE WRITTEN PERMISSION OF MICRONOR CORPORATION IS PROHIBITED.