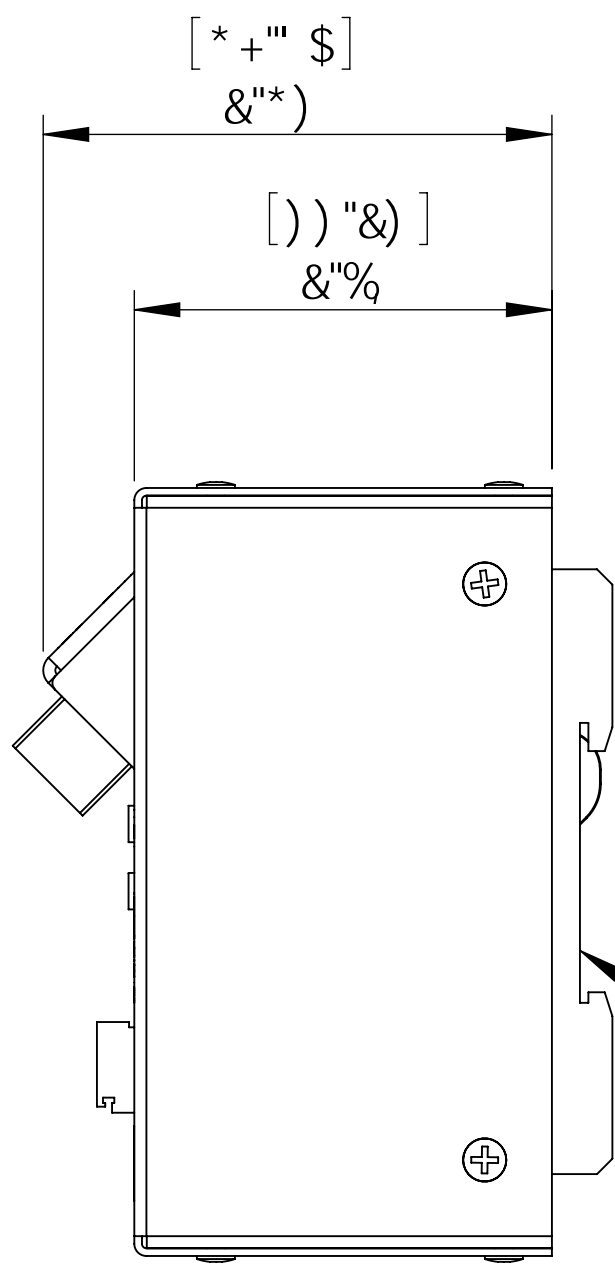
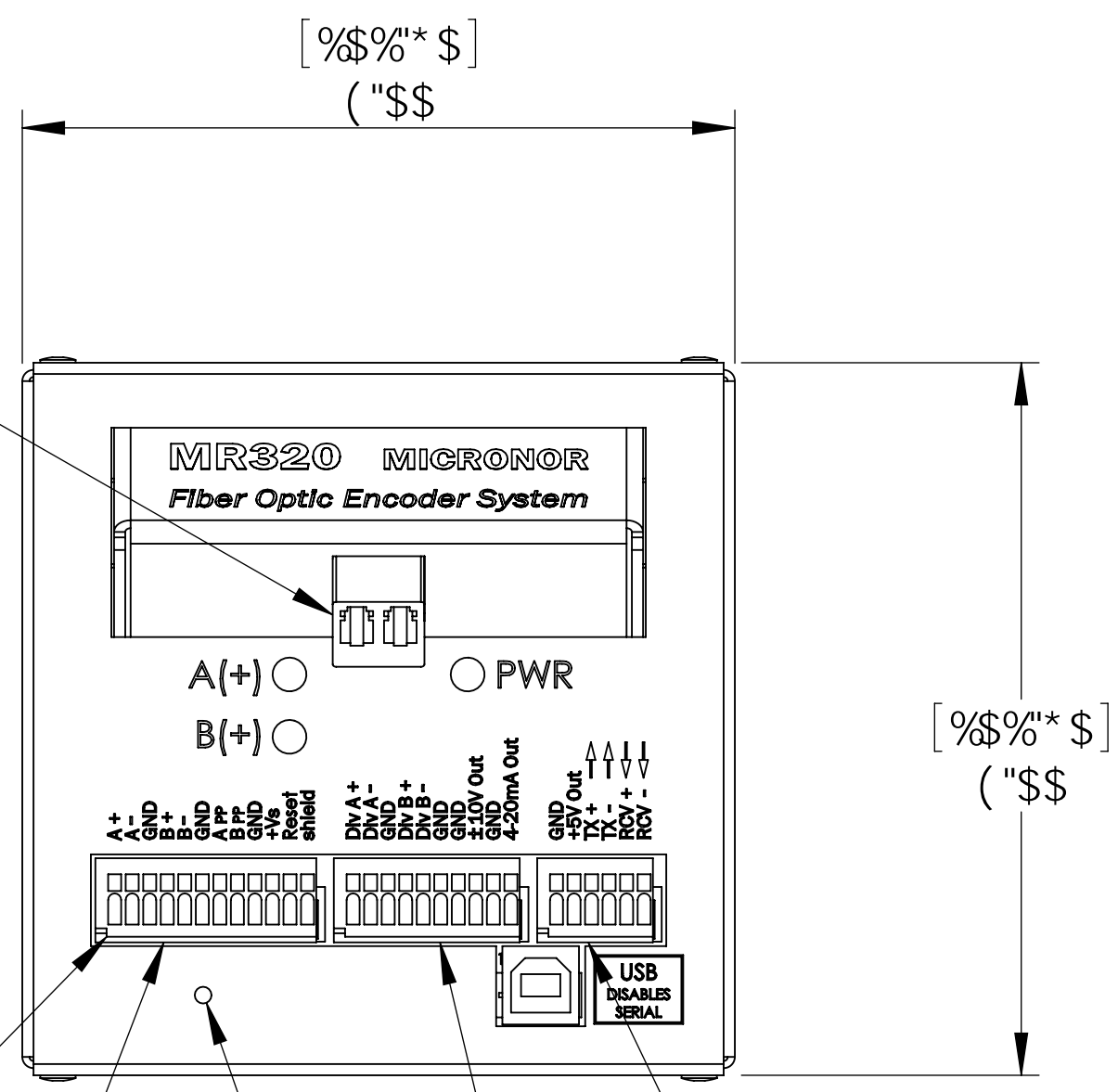


F9J GC BG			
F9J	89G7 F DHC B	85H	5DDFC J 98
7	588981 G67 C BB97 HC F	)!(1%&	F: 6

81 D@L @7 : 69F 'C DH7  
 7 C BB97 HC F 'DC FH'  
 5@K 5MG?99D'7 C J 9F 98  
 5B8 : F99'C : '81 GH  
 5B8 '8 FH



D-B %C : 'K 5; C  
 D@ : 'G-B 8=7 5H98  
 6MBC H7 < 'B  
 @C K 9F @9: H<5B8  
 7 C FB 9F

I B #H A C I B H G C B H C  
 G F 5 B 8 5 F 8 ' ) A A ' 8 B ' F 5 @

F 9 G 9 H 6 I H C B  
 5 7 7 9 G G < C @

>%K 5; C 'DB.'+'!'!%&	.....f%&'D-B 'H9FA -B 5@
%.....5Ž	
&.....5!	
'.....; B8	
(.....6Ž	
).....6!	
*.....; B8	
+.....5'dd	
,.....6'dd	
-.....; B8	
%\$.....ŽJg	
%%.....fYgYh	
%&.....gJYX	

>&'K 5; C 'DB.'+'!'!%\$	.....f%\$'D-B 'H9FA -B 5@
%.....8j 5Ž	
&.....8j 5!	
'.....; B8	
(.....8j 6Ž	
).....8j 6!	
*.....; B8	
+.....; B8	
,.....±%\$J 'Cih	
-.....; B8	
%\$.....(!&\$a 5 'Cih	

>'K 5; C 'DB.'+'!'!%\$*	.....f%'D-B 'H9FA -B 5@
%.....; B8	
&.....Ž)J 'Cih	
'.....HŽ '▶	
(.....H! '▶	
).....F7JŽ '◀	
*.....F7J! '◀	

BC H9G 'I B @GG'C H<9FK 69'GD97 ÷ 98

I B @9G C H 9 F K @9 Q D 9 7 = 98.		B5A 9	85H9	A 7 FC B C F 'B 7 "
8 A 9B GC B G S F 9 'B 'B 7 < 9G		8F5K B	F '6C M9F	B 9K 6I FMD5F?275 f)S)E(-!-\$%&)
H C @9F 5B 7 9G		7<97 798		H H @9.
5B: 1 @5F. ± 7)*		9B: '5DDF"		7 C B H C @ @ F Ž
H K C D @5 7 9 8 9 7 A 5 @ ± '\$&		A:: '5DDF"		C D H 7 5 @ 9 B 7 C 8 9 F
H F 9 9 D @5 7 9 8 9 7 A 5 @ ± '\$S)		E '5"		G N 9
: C I F D @5 7 9 8 9 7 A 5 @ ± '\$S)%		7 C A A 9 B H C		8 K ; "'BC"
B H F D F 9 H: 9 C A 9 F 7				F 9 J
H C @9F 5B 7 B: D9F				7
A 5 H F 5 @				A F' &\$
: B G:				7
D F C D F @ 6 F M 5 8 8 7 C B: 8 9 H 6 @				G 7 5 @9. %% K 9# <H'
H 9 B: C F A 5 H C B 7 C B H B 8 9 B: B H G				G < 9 9 H % C : %
8 F 5 K B: 'G H 9 C C @ 9 D F C D F F H C:				
A 7 F C B C F 7 C F D C F 5 H C B' 5 B M				
F 9 D F C 8 1 7 H C B 'B D 5 F H C F 5 G 5 K < C @9				
K H C I H H 9 K F H H B D F A G G C B C:				
A 7 F C B C F 7 C F D C F 5 H C B 'G				
D F C < 4 H B @				
8 C B C H G 7 5 @ 9 8 F 5 K B:				