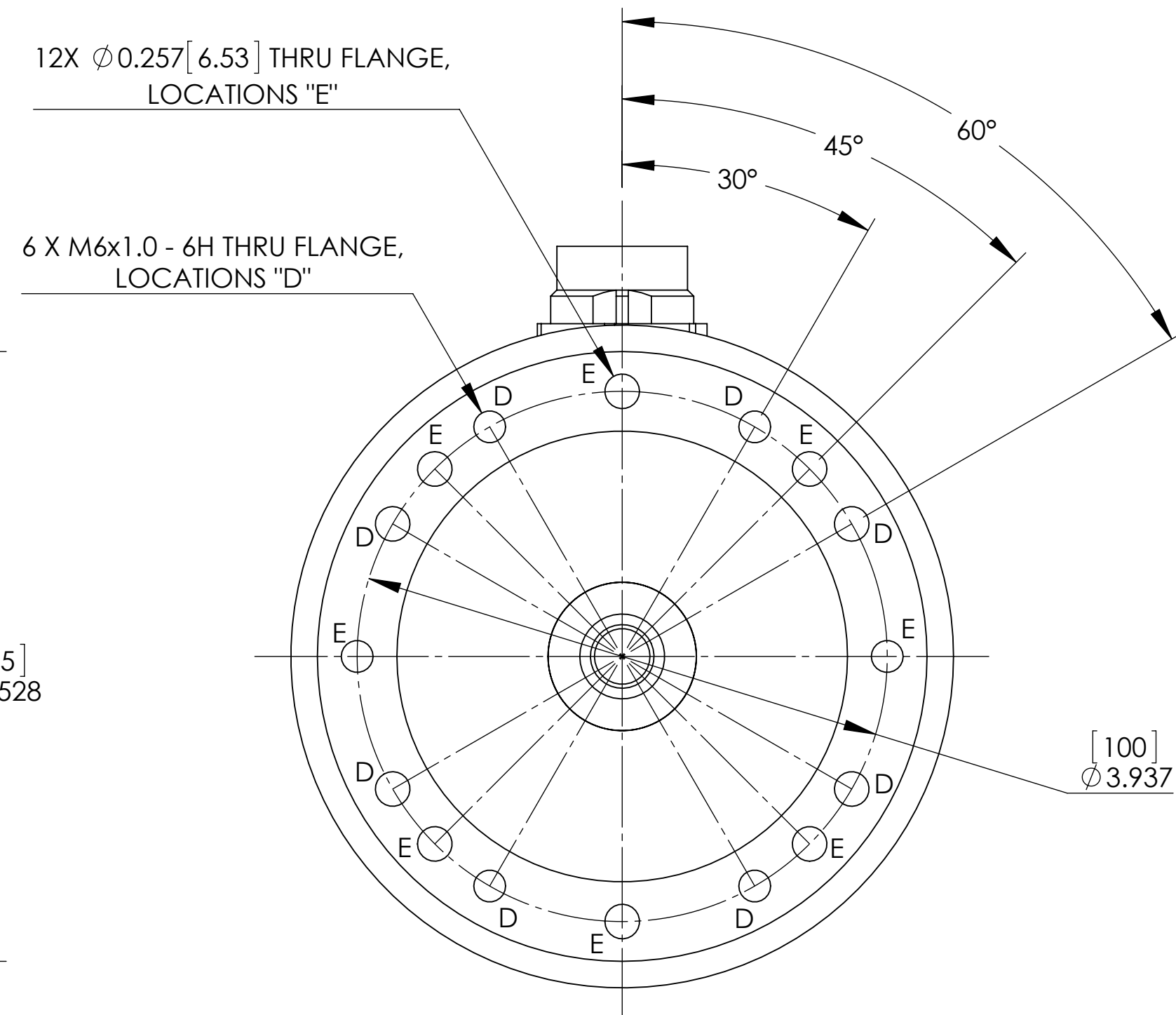
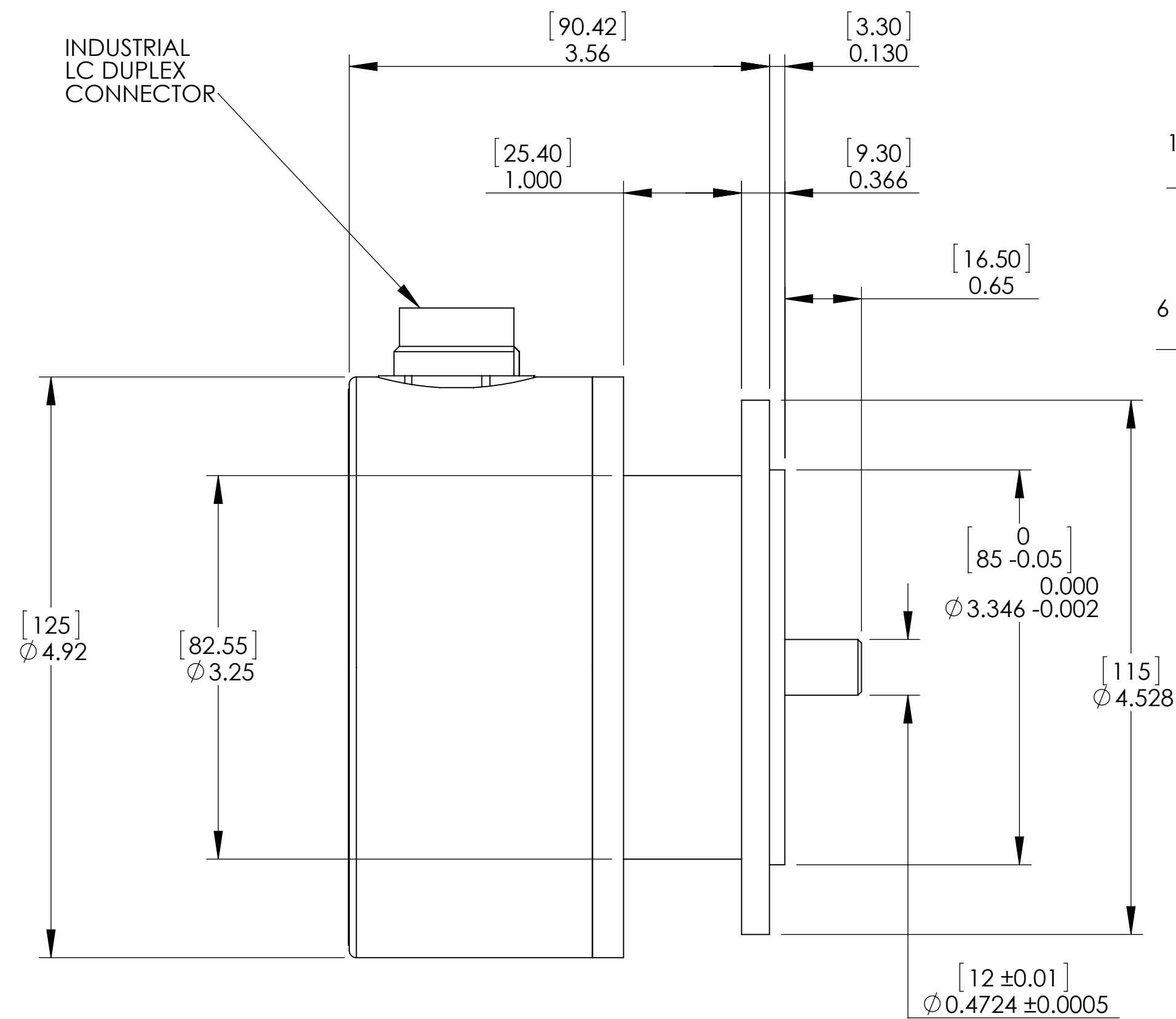


REVISIONS			
REV.	DESCRIPTION	DATE	APPROVED
A	NEW RELEASE	6-28-12	RGB



- 3 WARNING: KEEP CONNECTOR COVERS IN PLACE DURING STORAGE, TO PROTECT FIBER OPTIC INTERFACES.
- 2 WARNING: DO NOT DROP UNIT. DROPPING OR OTHER SEVERE SHOCK IMPACTS MAY DAMAGE UNIT.
- 1 ALWAYS USE FLEXIBLE COUPLING WHEN MOUNTING SHAFT TO EXTERNAL EQUIPMENT.

NOTES: UNLESS OTHERWISE SPECIFIED

UNLESS OTHERWISE SPECIFIED: DIMENSIONS ARE IN INCHES TOLERANCES: ANGULAR: ± .5° TWO PLACE DECIMAL ±.02 THREE PLACE DECIMAL ±.005 FOUR PLACE DECIMAL ±.0010	DRAWN	R BOYER	6-28-12	MICRONOR INC. NEWBURY PARK, CA (805) 499-0114 TITLE: INCREMENTAL ENCODER	
	CHECKED				
	ENG APPR.				
	MFG APPR.				
INTERPRET GEOMETRIC TOLERANCING PER:	Q.A.			SIZE DWG. NO. REV C MR325-00 A	
PROPRIETARY AND CONFIDENTIAL THE INFORMATION CONTAINED IN THIS DRAWING IS THE SOLE PROPERTY OF MICRONOR CORPORATION. ANY REPRODUCTION IN PART OR AS A WHOLE WITHOUT THE WRITTEN PERMISSION OF MICRONOR CORPORATION IS PROHIBITED.	MATERIAL FINISH DO NOT SCALE DRAWING	COMMENTS:	SCALE: 1:1	WEIGHT:	SHEET 1 OF 1