

R11BHW50FF533

SIZE 11 BRUSHLESS RESOLVER WITH SHAFT

MICRONOR
automation components

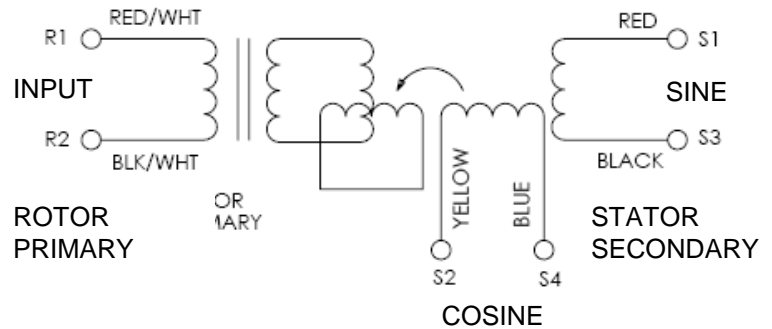
Products

R11BHW50FF533 is a Size 11, Control Transmitter-type Brushless Resolver equivalent to Micron 73-206-879 and Moog/Clifton 11BHW-50F/F533. It is a single speed resolver, optimized for 2600 Hz excitation, TR=1.069 and ± 3 arcmin (0.05°) accuracy.



Diagram

Lead Color	Function
Red/White	Rotor 1
Black/White	Rotor 2
Red	Stator 1
Yellow	Stator 2
Black	Stator 3
Blue	Stator 4

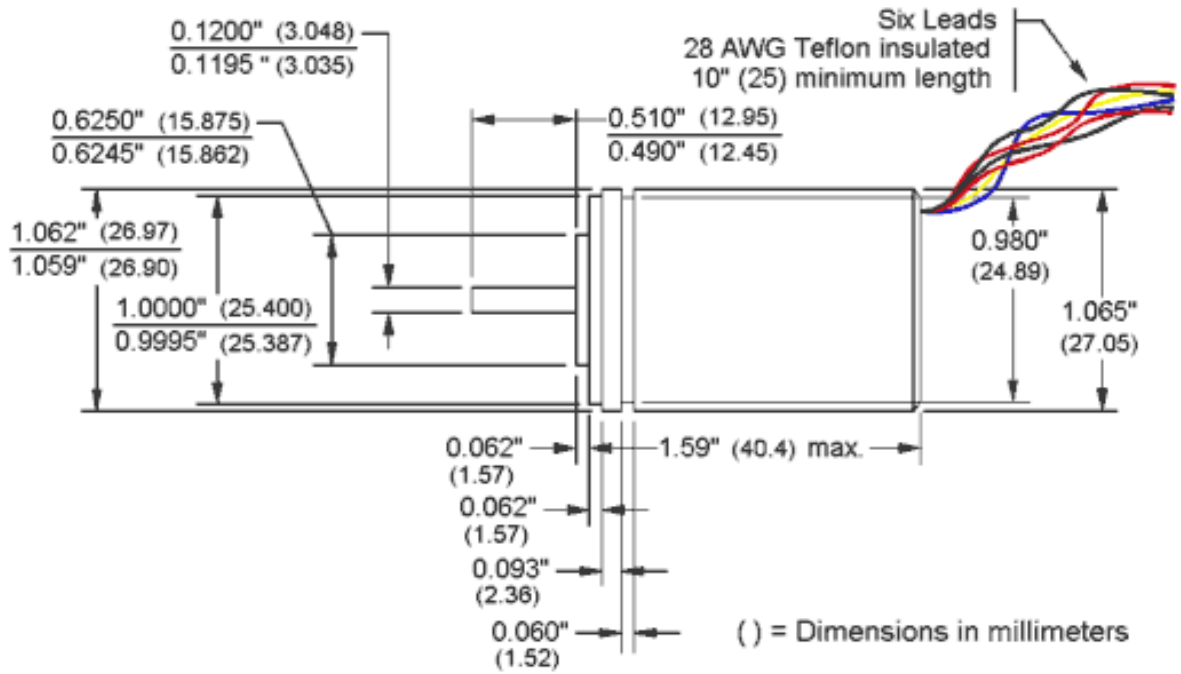


Specifications

Specifications Subject To Change Without Notice

Parameters measured at 25 °C

Speed	1
Excitation Frequency	2600 Hz $\pm 5\%$
Transformation Ratio (TR)	1.069 $\pm 5\%$
Input Voltage and Frequency	8.0V, 2600 Hz
Input Current	12.2mA max.
Input Power	63mW max.
Output Voltage	8.55V
Impedances (Ohms)	
ZRO	422 +j505
ZRS	236 + j235
ZSO	829 + j1292
ZSS	529 + j628
Phase Shift (Degree Leading)	+7.6°
DC Rotor Resistance (Ohms)	83 Ω
DC Stator Resistance (Ohms)	173 Ω
Total Null Voltage (mV)	30
Accuracy Max Error (at 25°C)	± 3 arcmin (0.05°)
Shaft Loading (Max.)	2 lbs. radial / 1 lbs. axial
Moment of Inertia	3.3 g-cm ²
Operating Temperature	-55°C to +125°C



For Thomson Micron replacements, order:
R11BHW50FF533

Related Items:

- R11WF103 replaces Micron 73-202-730 / Harowe 11BRW-300-F95A
- R11XJ107 replaces Micron 73-206-879 / Harowe 11BRCX-300-J95C

For additional technical information, contact Micronor and request:

- MICRON Replacement Position Transducers Data Sheet

MICRONOR INC.

750 Mitchell Road
Newbury Park, CA 91320
United States of America
T +1-805-499-0114
F +1-805-499-6585
sales@micronor.com
www.micronor.com

MICRONOR AG

Pumpwerkstrasse 32
CH-8105 Regensdorf
Switzerland
T +41-44-843-4020
F +41-44-843-4039
sales@micronor.ch
www.micronor.com