

# R11XJ107

SIZE 11 BRUSHLESS RESOLVER WITH SHAFT

# MICRONOR

automation components

## Products

R11XJ107 is a Size 11, Control Transmitter-type Brushless Resolver equivalent to Micron 73-204-671 and Harowe 11BRCX-300- J95C. It is a single speed resolver, optimized for 5kHz operation, TR=0.95 and  $\pm 7$  arcmin ( $0.12^\circ$ ) accuracy.

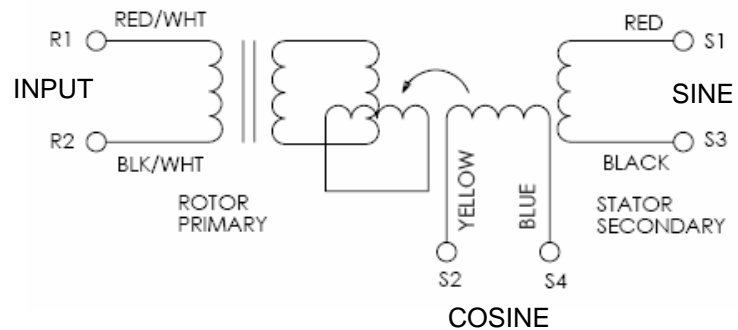
Special high accuracy versions are also available:

- R11XJ107:  $\pm 7$  arcmin ( $0.012^\circ$ ) accuracy (Standard)
- R11XJ103:  $\pm 3$  arcmin ( $0.05^\circ$ ) accuracy (High Accuracy)



## Diagram

Lead Color	Function
Red/White	Rotor 1
Black/White	Rotor 2
Red	Stator 1
Yellow	Stator 2
Black	Stator 3
Blue	Stator 4



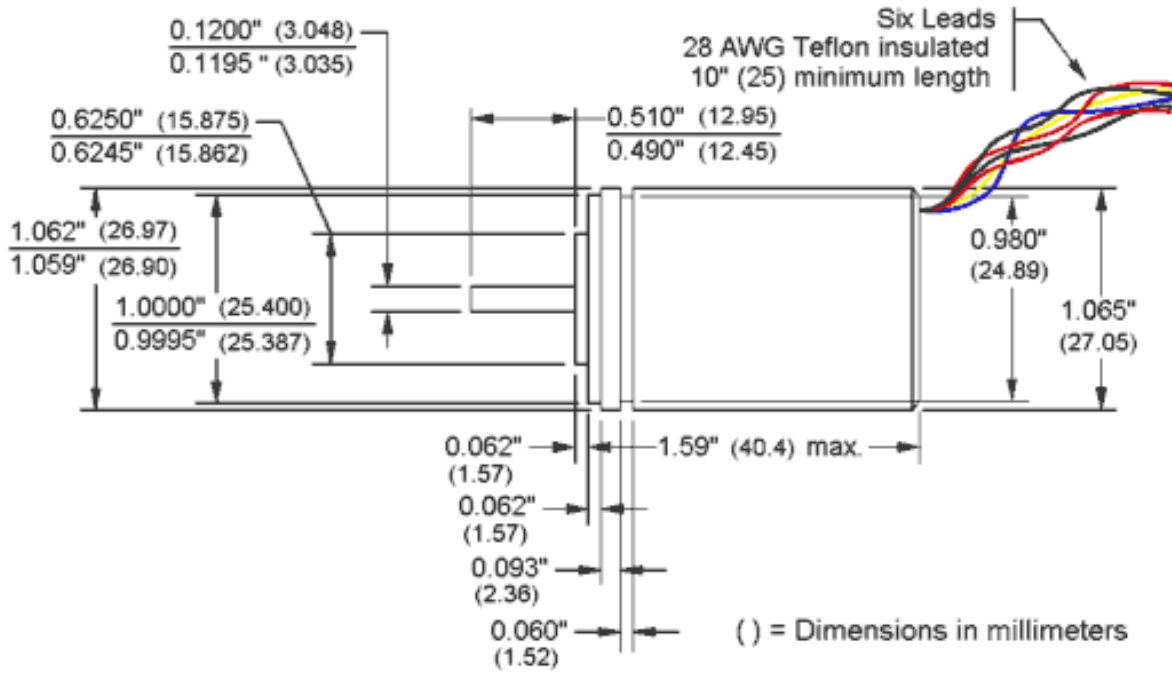
## Specifications

Specifications Subject To Change Without Notice

Parameters measured at 25 °C

Speed	1
Excitation Frequency	5 kHz $\pm 5\%$
Transformation Ratio (TR)	0.95 $\pm 5\%$
Input Voltage and Frequency	7.0V, 5000 Hz
Input Current	23mA max.
Input Power	90mW max.
Output Voltage	6.65V
Impedances (Ohms)	
ZR0	240 + j245
ZRS	110 + j173
ZS0	412 + j590
ZSS	170 + j394
Phase Shift (Degree Leading)	-6°
DC Rotor Resistance (Ohms)	16 $\Omega$
DC Stator Resistance (Ohms)	41 $\Omega$
Total Null Voltage (mV)	15
Accuracy Max Error (at 25°C)	
R11XJ107	$\pm 7$ arcmin ( $0.117^\circ$ )
R11XJ103	$\pm 3$ arcmin ( $0.05^\circ$ )
Shaft Loading (Max.)	2 lbs. radial / 1 lbs. axial
Starting Torque	0.08 oz-in
Moment of Inertia	$0.51 \times 10^{-4}$ oz-in-sec <sup>2</sup>
Starting Torque	0.08 oz-in
Operating Temperature	-40°C to +125°C

Reference Drawing



Ordering Info

For Thomson Micron replacements, order: **R11XJ107**

For Special Accuracy Requirements, order: **R11XJ103**

Related Items:

- R11WF103 replaces Micron 73-202-730 / Harowe 11BRW-300-F95A
- R11BHW50FF533 replaces Micron 73-206-879 / Clifton 11-BHW-50F/F533B

For additional technical information, contact Micronor and request:

- MICRON Replacement Position Transducers Data Sheet

**MICRONOR INC.**

750 Mitchell Road  
Newbury Park, CA 91320  
United States of America  
T +1-805-499-0114  
F +1-805-499-6585  
sales@micronor.com  
www.micronor.com

**MICRONOR AG**

Pumpwerkstrasse 32  
CH-8105 Regensdorf  
Switzerland  
T +41-44-843-4020  
F +41-44-843-4039  
sales@micronor.ch  
www.micronor.com