

Kunde / Customer

INCO

Vertretung / Agency

MICRONOR USA

Bestelltext / How to order

Geared Resolver unit

Type

FR177\_R1=1:10 R2=10:1 R3=500:1

Bauvorschrift / Date sheet

TD 8200.01.001 Rev B

**Geared Resolver unit with MIL 19 pin**

**Input ratio**

Shaft to Resolver R1 (Z 240/Z24 (Modul 0.25))

R1 = +1 : -10

Shaft to Resolver R2 (Z 24/Z240 (Modul 0.25))

R2 = +10:-1

Shaft to Resolver R3 (Z 240/Z48 (Modul 0.25) Harmonic-Drive 100:1)

R3 = +500:-1

All gears are Antibacklash

**Resolver (Size 11 / ø 27)**

Type

R11W-F10/3

Speed

1

Frequency (Hz)

2500

Transformation Ratio (Vout/Vin)

0,5

**Receptical**

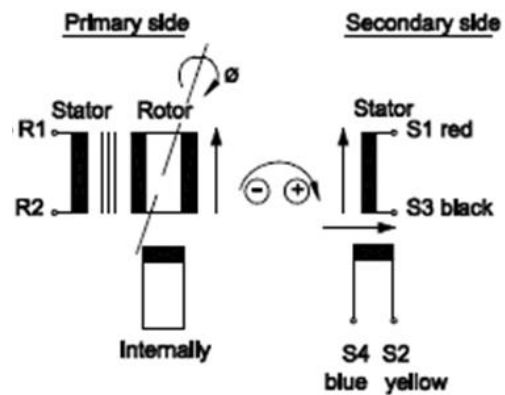
Type

MS 3102 A22-14P (19 Pin) MIL

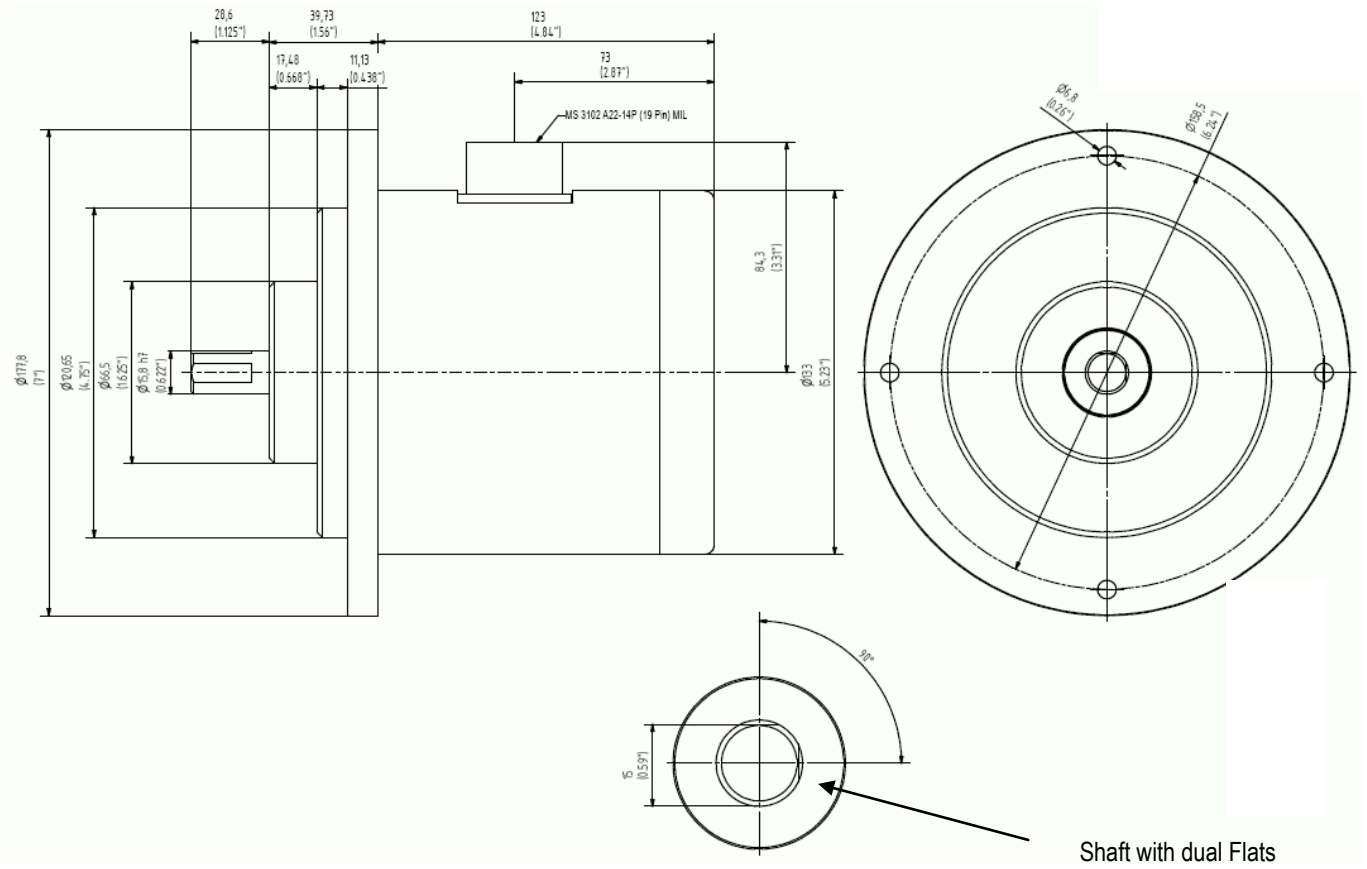
**Electrical connection**

| Wire color  | Function R1 (1:10) | PIN-Nr. | Wire color  | Function R3 (500:1) | PIN-Nr. |
|-------------|--------------------|---------|-------------|---------------------|---------|
| Black/White | Rotor R2           | A       | Black/White | Rotor R2            | N       |
| Red/White   | Rotor R1           | B       | Red/White   | Rotor R1            | P       |
| Red         | Stator S1          | C       | Black       | Stator S3           | R       |
| Yellow      | Stator S2          | D       | Yellow      | Stator S2           | S       |
| Black       | Stator S3          | E       | Red         | Stator S1           | T       |
| Blue        | Stator S4          | F       | Blue        | Stator S4           | U       |

| Wire color  | Function R2 (10:1) | PIN-Nr. |
|-------------|--------------------|---------|
| Black/White | Rotor R2           | G       |
| Red/White   | Rotor R1           | H       |
| Black       | Stator S3          | J       |
| Yellow      | Stator S2          | K       |
| Red         | Stator S1          | L       |
| Blue        | Stator S4          | M       |



Massbild / Outline drawing



Shaft with dual Flats

Label

**POSITION TRANSDUCER**    **App.Nr. M-XXXXXX**  
 R1=1:10 R2= 10:1 R3=500:1 Per TD 8200.01.001 Rev B  
 Replaces Micron 36-205-488-1888

---

Micronor P/N 8200.01.001

---

USA +1-805-389-6600    sales@micronor.com  
 EUR +41-44-843-4020    www.micronor.com

Please Sign to Approve:

| Name | Compartment           | Date / Location |
|------|-----------------------|-----------------|
|      | INCO (Customer)       |                 |
|      | MICRONOR Inc. (Sales) |                 |