

Kunde / Customer
Vertretung / Agency
 Ordering Part Number

PCMC
Micronor USA
 9000.00.016

Bestelltext / Selecting table
 Typ / Type
 Bauvorschrift / Design
 Micron Reference
 PCMC Part Number

Handy-Resolver
Handy-Resolver with Delrin-knob, 50ppr
 TD 9000.00.016C
 39-115-209-7965
 101106

Technische Daten/ Technical data:

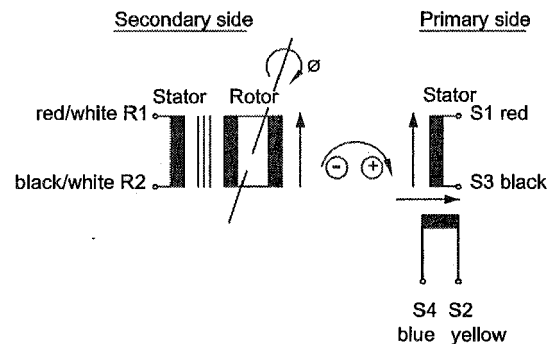
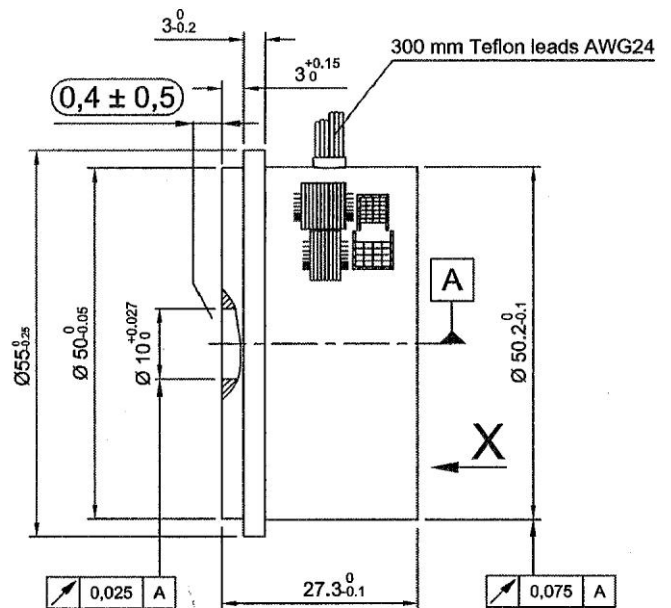
Gehäusemasse/ Outline drawing: d79 x 128 mm
 Wellenausgang/ Shaft d8 x 10 mm
 Shaft Load Max. 80N Radial, Max. 40N Axial
 Schutzklasse / protection class IP55

Resolver

Typ RE-21-1-K02
 Nummer/Part Nr 8000.00.139

Technische Angaben:

Primary side	R1 - R2
Pole pairs	1
Transformation ratio	0.3 ± 5%
Input voltage	5 V
Input current	30 mA
Input frequency	4 kHz
Phase shift	5° ± 3°
Null voltage	30 mV max.
Impedance	
Zro	56 j 112 Ohm
Zrs	50 j 96 Ohm
Zso	108 j 154 Ohm
Zss	93 j 131 Ohm
D.C. resistance	
Rotor	16 Ohm ± 10%
Stator	53 Ohm ± 10%
Accuracy absolute	± 10'
Accuracy spread	20'
Accuracy ripple	1' max.
Operating temperature	-55° C ... +155° C
Max. permissible speed	20.000 rpm
Shock (11 ms)	<= 10.000 m/s ²
Vibration (10 to 500 Hz)	<= 500 m/s ²
Weight rotor/stator	80 g / 200 g
Rotor moment of inertia	0.14 x 10 ⁻⁴ kgm ²
Hi-pot housing/winding	500 V min.
Hi-pot winding/winding	250 V min.
Rotor / Stator	Completely impregnated



Technische Änderungen vorbehalten / Subject to change without prior notice / sous réserve de modifications techniques

Elektronische Verdrahtung / Electrical Connection

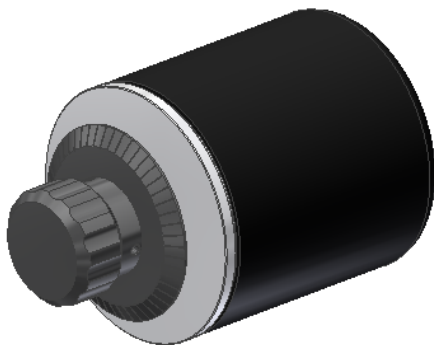
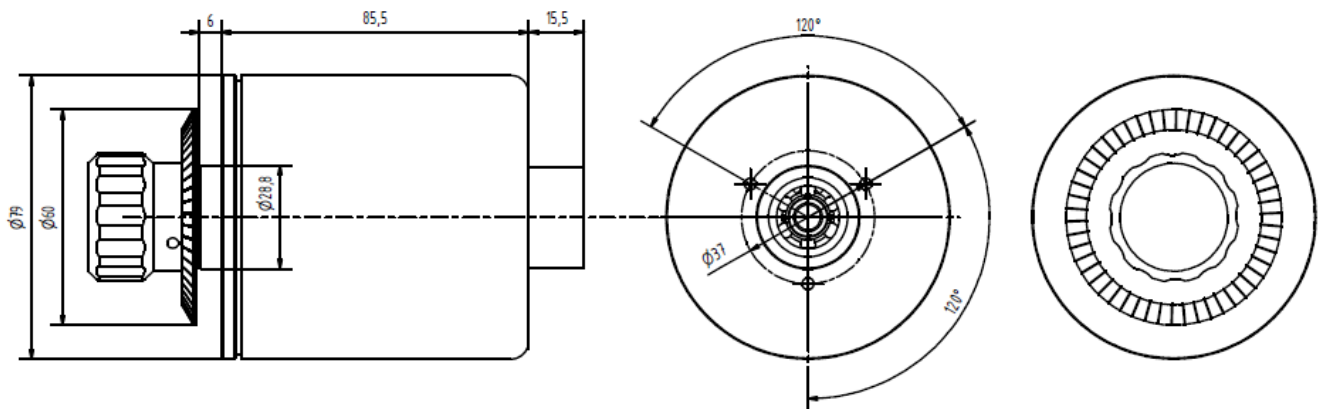
Stecker /Connector: MS3102A18_10Pin

Kabel / Cable	Funktion / Function	Kabelfarbe / Color	Anschlusspin Connector pin
1	Rotor 1	Rot / Weiss	A
2	Rotor 2	Schwarz / Weiss	B
3	Stator 1	Rot	D
4	Stator 2	Gelb	E
5	Stator 3	Schwarz	F
6	Stator 4	Blau	G

Label

Handy Resolver	PCMC 101106
MICRONOR P/N 9000.00.016	App.Nr. M-XXXXXX
USA +1-805-499-0114	sales@micronor.com
CH +41-44-843-4020	www.micronor.com

Massbild / Drawing



In the shipment :

TD 9000.00.016C
Screwdriver 6099.22.445

Technische Änderungen vorbehalten / Subject to change without prior notice / sous réserve de modifications techniques