

9000.00.041



OEM Customer: R.A. Jones

- Compact Feedback Unit
- Single Geared Resolver
- R1=1:1 (Direct Drive)
- Replaces Micron 36-306-670-1532
- Application: R.A. Jones CNC equipment

Performance Specifications

Temperature	-15°C to +60°C
Humidity	0-95% RH, Non-Condensing
Protection	IP64

Resolvers

R1 Ratio	R1 = +1 : +1
Gears	Direct Drive

Model	R11XJ107
Micron Type	73-204-671
Type	Brushless Resolver, Control Transmitter, Single Speed
Excitation Frequency	5000 Hz
Transformation Ratio	0.95
Accuracy	+/- 7 arcmin

Label

Position Transducer App.Nr. M-XXXXXX
 R1=1:1 per TD 9000.00.041
 Replaces Micron 36-306-670-1532

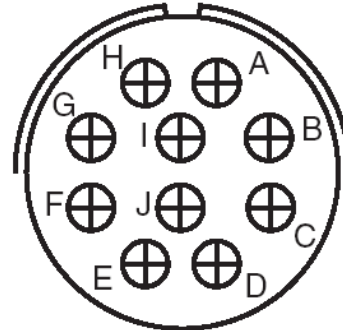
MICRONOR P/N 9000.00.041
 USA +1-805-389-6600 sales@micronor.com
 EUR +41-44-843-4020 www.micronor.com

Specification not to be changed without customer approval

9000.00.041

Electrical Wiring

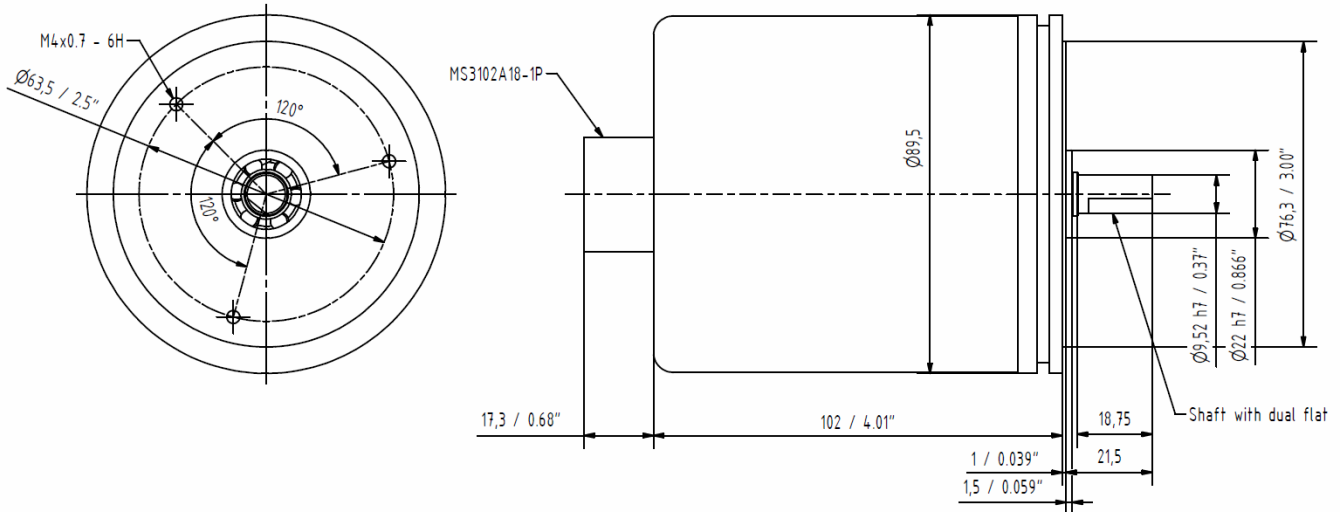
Wire colour	Resolver	Function	Connector / pin no.
Red/White	R1	Rotor 1	A
Black/White	R1	Rotor 2	B
			C (Not Connected)
Red	R1	Stator 1	D
Yellow	R1	Stator 2	E
Black	R1	Stator 3	F
Blue	R1	Stator 4	G
			H (Not Connected)
			I (Not Connected)
			J (Not Connected)



Flange Mount Receptacle:
MS3102A-18-1P (10-pin, Male/Pin Contacts)

Straight Mating Plug (available separately):
MS3106F-18-1S (10-pin, Female/Socket Contacts)

Reference drawing



Specification not to be changed without customer approval

9000.00.041

Please Sign to Approve:

Name	Compartment	Date / Location
	Micronor Inc. (Sales)	

Specification not to be changed without customer approval

For Sales & Service:

United States: Tel +1-805-389-6600 Fax +1-805-389-6605 URL www.micronor.com
Switzerland: Tel +41-44-843-4020 Fax +41-44-843-4039 URL www.micronor.ch

Page 3 of 3

30.07.2012
REV.1