

Kunde / Customer

Giddings & Lewis Machine Tool

Vertretung/ Agency

MIC USA

Bestelltext t /How to order

Typ / Type

Feedback Transducer

Bestellbezeichnung / Ordering Part Number:

FR90 R=1:2 R M10

Bauvorschrift / specification

9000.00.069 (formely FB-TD5114B)

Micronr Reference

TD 9000.00.069

36-300-748-0663

Resolver

Resolver R1 (Size 11 / \varnothing 27)

Ratio +1 : -2

Gears Antibacklash

Z1: GZ120 / Z2: GZ60 m0,3

Harowe Nr.

11BRW-300-F-95A or AMCI R11W-F10/3

Speed

1

Accuracy +- Arc Min

3

Frequency (Hz)

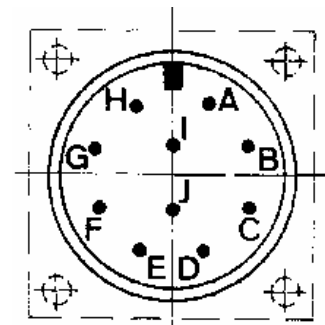
400/2500Hz

Transformation Ratio (Vout/Vin)

0,5

Elektrische Verdrahtung / electrical wiring (MS 3102A-18-1P 10Pin)

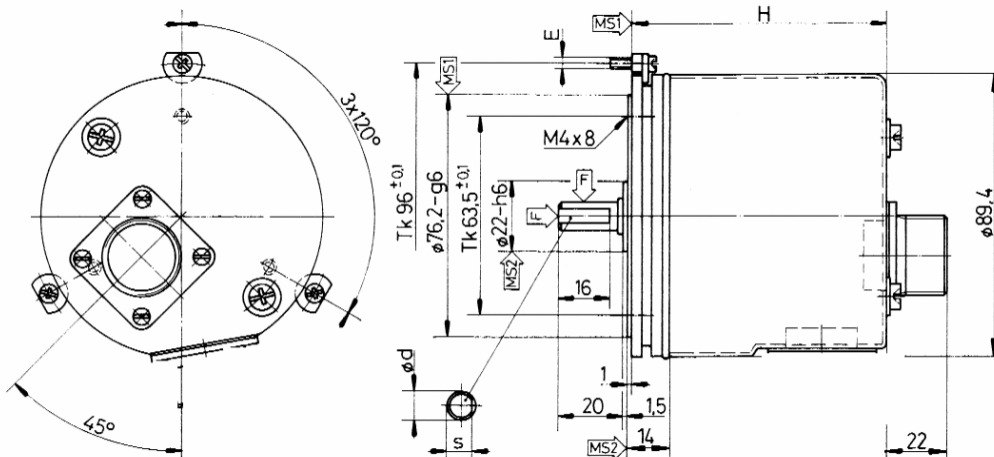
Wire colour	Resolver	Function	Connector / pin no.
Red/White	R1	Rotor 1	A
Yellow/White	R1	Rotor 2	B
--	--	--	C (No Connection)
Red	R1	Stator 1	D
Yellow	R1	Stator 2	E
Black	R1	Stator 3	F
Blue	R1	Stator 4	G
--	--	--	H (No Connection)
--	--	--	I (No Connection)
-	--	--	J (No Connection)



Massbild

\varnothing d = 9.52 h8 (DIA 0.3748 inch) s = 9.0 (0.3543 inch)

F = \Rightarrow 40 N \Downarrow 80 N MS = Mounting Surface H = 3.241 inch



Label

Feedback Unit**FR90 R1:2 per 9000.00.069**Replaces Micron 36-300-748-0663

US +1-805-389-6600

Sales@micronor.com

CH +41-44-843-4020

www.micronor.com

Please Sign to Approved:

Name	Compartment	Date / Location

Subject to modification / Änderungen vorbehalten