

Vertretung / Agency
Bestelltext / Ordering Part Number

MICRONOR USA
9000.00.605

Bestelltext / How to order
Type
 Bauvorschrift / Date sheet
 Micron Reference

Feedback Unit
FR90 R127:200 M7 R
 TD 9000.00.605C
 36-304-279-0810

Resolver R1 (Size 11 / ø 27)
 Part Number
 Type
 Speed
 Excitation
 Transformation Ratio

Ratio **+127 : +200**
 R11XJ107 (equivalent to Micron 73-204-671)
 Control Transmitter
 1
 5000 Hz ±5%
 0.95 ±5%

Gehäuse / HousingDennis

Schutzart / Protection

IP 64

Etikettes / Labels

► **Position Transducer App.Nr. M-XXXXXX**
 FR90 R1=127:200 Per TD 9000.00.605 C
 Replaces Micron 36-304-279-0810

Micronor P/N 9000.00.605
 USA +1-805-389-6600 sales@micronor.com
 EUR +41-44-843-4020 www.micronor.com

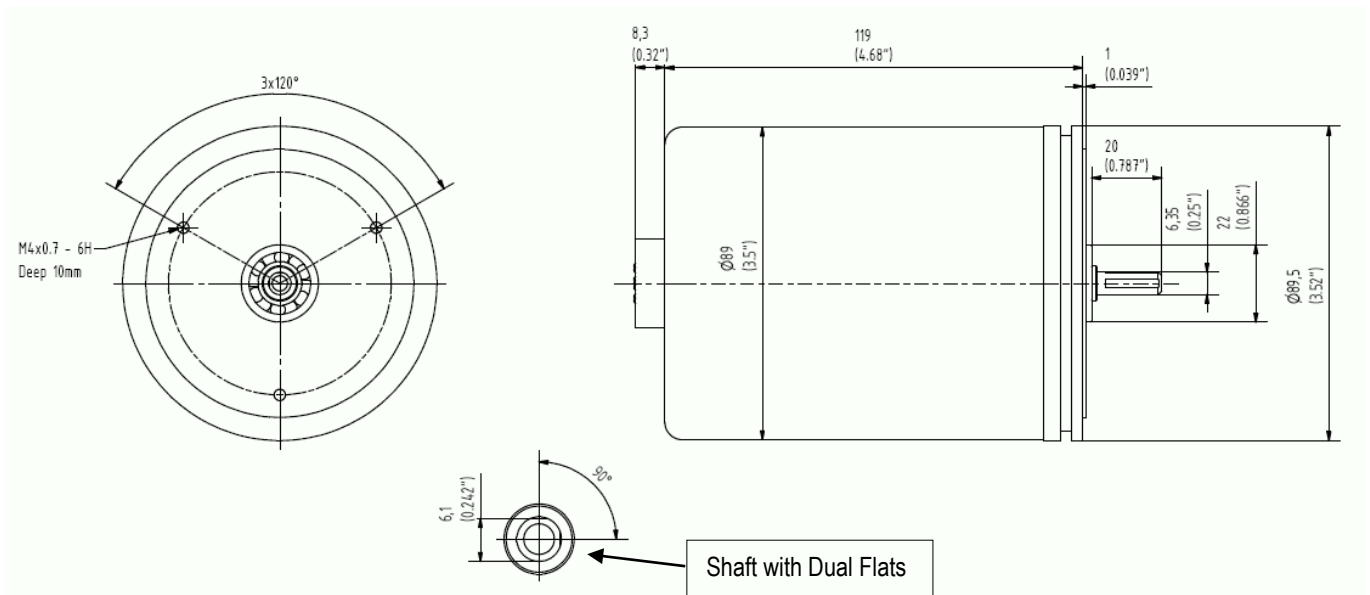
Additional Note:
 Standard small Micronor/Micromat
 App.Nr. label to be mounted inside unit.

Verdrahtung / Electrical connection

Wire Color	Resolver	Function	Connector /Pin No
Red / White	R1	Rotor 1	E
Black / White	R1	Rotor 2	F
---	---	---	--
Black	R1	Stator 3	A
Yellow	R1	Stator 2	C
Red	R1	Stator 1	B
Blue	R1	Stator 4	D
---	---	---	G (No Connection)

Mounted Receptacle : MS3102A-16S-1P, M7 (7-Pin) Male/Pin Receptacle

Massbild /Dimensions



Please Sign to Approved:

Name	Compartment	Date / Location