

9000.07.204



- ➡ Compact Feedback Unit
- ➡ Geared Resolver (4:1)
- ➡ Replaces Neotech N-350068

Technical Data

Performance Specifications

Temperature	-15°C to +95°C
Humidity	0-95% RH, Non-Condensing
Protection	IP64

Resolver	R11XG1071 Replaces Micron 73-205-144 or Harowe 11BRCX-300-G
----------	---

Type	Control Transmitter
Speed	1
Excitation Frequency (Hz)	400 Hz
Transformation Ratio (Vout/Vin)	0,45
Accuracy	+/- 7 arcmin

R1 Ratio	+4 : -1 (Opposite Direction, Input to Resolver)
Gears (Antibacklash)	Z30 M0.3 / Z120 M0.3

Label

<p>MICRONOR P/N 9000.07.204 App.- Nr. M-XXXXXX POSITION TRANSDUCER, R1=4:1 REPLACES NEOTECH N-350068</p> <hr/> <p>USA. +1-805-389-6600 sales@micronor.com EUR +41-44-843-4020 www.micronor.com</p>
--

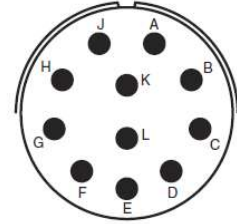
9000.07.204



Electrical Wiring

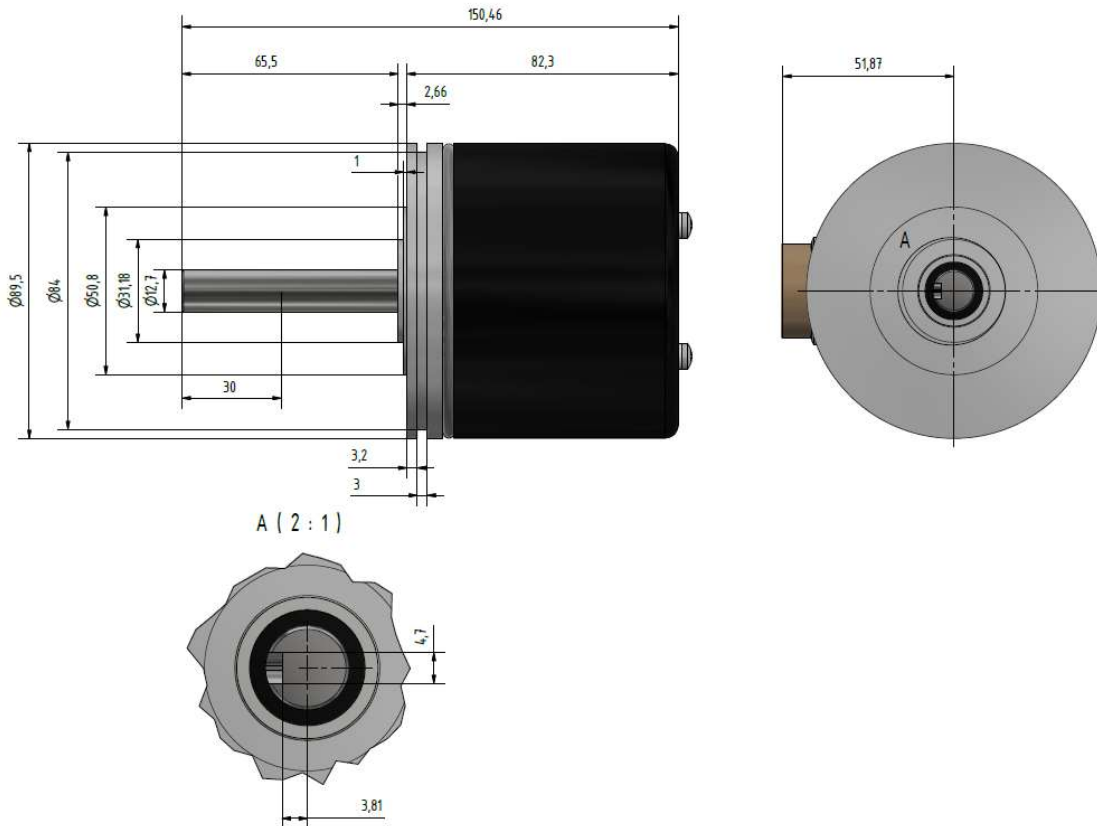
Mounted Receptacle MS3110E-18-11P, 11C, Male/Pin Contacts

Mating Plug (available separately) MS3116F-18-11S, 11C, Female/Socket Contacts



Wire Color	Component	MICRON Function	Connector PIN#	
Red/White	Resolver 1	R1	A	
Black/White	Resolver 1	R2	B	
			C	No Connection
Red	Resolver 1	S1	D	
Black	Resolver 1	S3	E	
Yellow	Resolver 1	S2	F	
Blue	Resolver 1	S4	G	
			H	No Connection
			J	No Connection
			K	No Connection
			L	No Connection

Reference drawing in mm



9000.07.204



Order Code

9000.07.204

FRL90 R1=4:1

Geared Limit Switch
Ratio: 4:1 (opposite direction)
Gears: Antibacklash
Resovlertype: R11XG1071
Connector: MS3110E-18-11P
Protection Class: IP64
Temperature Range: -15°C ... +95°C