

Customer

Selecting table
Type
Design

PCMC

Handy-Encoder
Handy-Encoder with knob, 50ppr
TD 9100.00.013

Technical data:

Outline drawing:
Shaft Load
Protection class

63.7 x 63mm
Max. 80N Radial, Max. 40N Axial
IP55

Handy Encoder

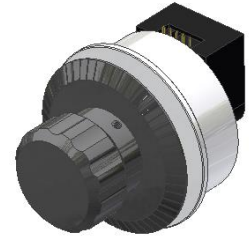
Clicks per Revolution
Pulses
Micron Reference
PCMC Reference

50, hardness standard
2 pulses per click
39-410-986-2187
112395

Internal Encoder

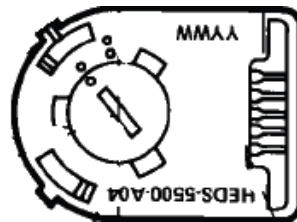
Type
Operating/Storage Temperature
Supply Voltage (Vcc)
Output-Low
Output-High

AVAGO HEDS-5500#C14
-40°C to 100°C
4.5V to 5.5V
<0.5V
>2.4V



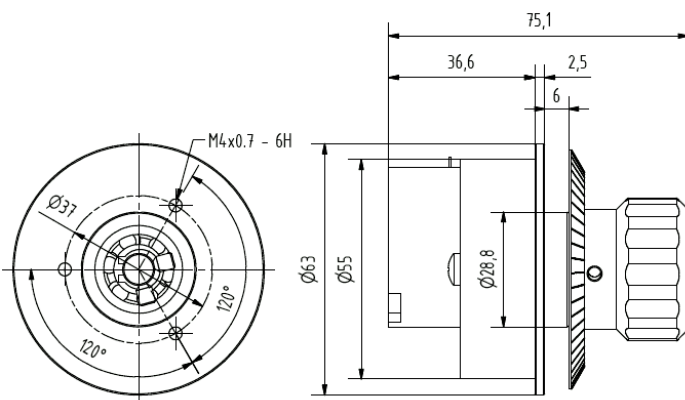
Electrical Connection

| PIN | Parameter | Color |
|-----|-----------|-------|
| 1 | Ground | Black |
| 2 | | |
| 3 | CH. A | White |
| 4 | Vcc | Red |
| 5 | CH. B | Brown |



PIN 5 – CH.B
PIN 4 – Vcc
PIN 3 – CH.A
PIN 2 – .
PIN 1 – GND

Reference Drawing



Recommended Connectors

| Manufacturer | Part Number |
|--|--|
| AMP | 103686-4 640442-5 |
| Dupont/Berg | 65039-032 with 4825X-000 term. |
| Avago (designed to mechanically lock into the HEDS-5XXX, HEDM-5X0X Series) | HEDS-8902 (2 ch.) with 4-wire leads HEDS-8903 (3 ch.) with 5-wire leads |
| Molex | 2695 series with 2759 series term. |

Label

| | |
|-----------------------------|--------------------|
| Handy Encoder, 50ppr | PCMC 112395 |
| MICRONOR P/N 9100.00.013 | App.Nr. M-XXXXXX |
| USA | sales@micronor.com |
| +1-805-389-6600 CH | www.micronor.com |
| +41-44-843-4020 | |

Technische Änderungen vorbehalten / Subject to change without prior notice / sous réserve de modifications techniques