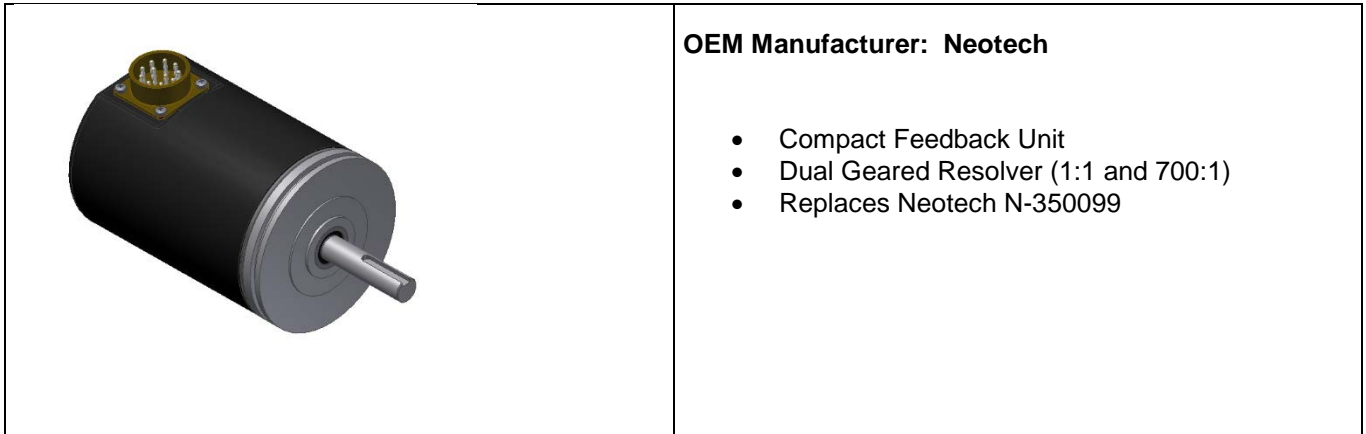


9350.02.842



OEM Manufacturer: Neotech

- Compact Feedback Unit
- Dual Geared Resolver (1:1 and 700:1)
- Replaces Neotech N-350099

Performance Specifications

Temperature	-15°C to +95°C
Humidity	0-95% RH, Non-Condensing
Protection	IP64

Resolver

R11XG1071
Replaces Micron and harrow 11BRCX-300-G..

Type	Control Transmitter
Speed	1
Excitation Frequency (Hz)	400 Hz
Transformation Ratio (Vout/Vin)	0,45
Accuracy	+/- 7 arcmin

R1 Ratio +1 : + 1 (Direct Drive)

R2 Ratio +700 : +1
Gears Z 30 / Z 210
Harmonic Drive 100:1

Label

MICRONOR P/N 9350.02.842	App.- Nr. M-XXXXXX
POSITION TRANSDUCER	
R1=1:1 R2=700:1	
REPLACES NEOTECH N-350099	
USA.	+1-805-389-6600 SALES@MICRONOR.COM
EUR	+41-44-843-4020 WWW.MICRONOR.COM

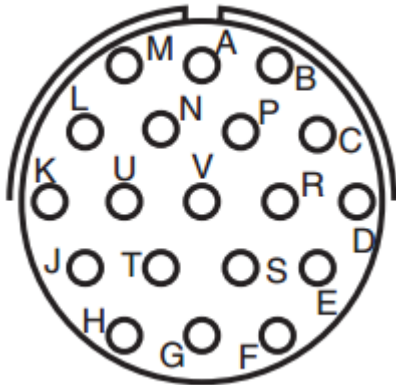
Specification not to be changed without customer approval

9350.02.842

Electrical Wiring

Mounted Receptacle MS3112E-14-19P, 19C, Male/Pin Contacts

Mating Plug (available separately) MS3116F-14-19S, 19C, Female/Socket Contacts With Cable Clamp

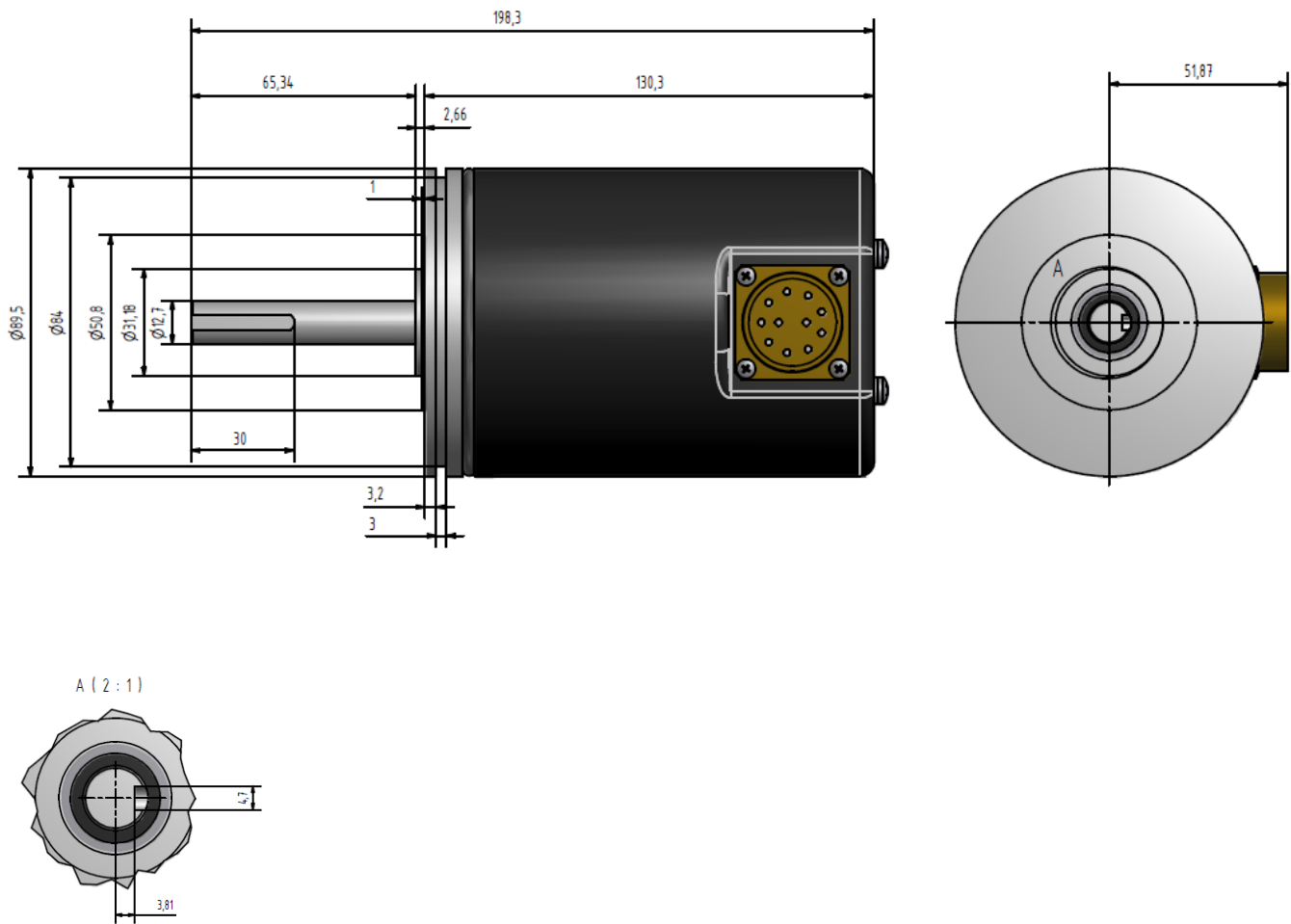


Wire Color	Component	MICRON Function	Connector PIN#	
Red	Resolver 1	S1	A	
Black		S3	B	
Yellow		S2	C	
Blue		S4	D	
Red/White		R1	E	
Black/White		R2	F	
Red	Resolver 2	S1	G	
Black		S3	H	
Yellow		S2	J	
Blue		S4	K	
Red/White		R1	L	
Black/White		R2	M	
			N	No Connection
			P	No Connection
			R	No Connection
			S	No Connection
			T	No Connection
			U	No Connection
			V	No Connection

Specification not to be changed without customer approval

9350.02.842

Dimensions



Specification not to be changed without customer approval

9350.02.842

Please Sign to Approve:

Name	Compartment	Date / Location
	Advanced Technical Services (Customer)	
	Micronor Inc. (Sales)	

Specification not to be changed without customer approval