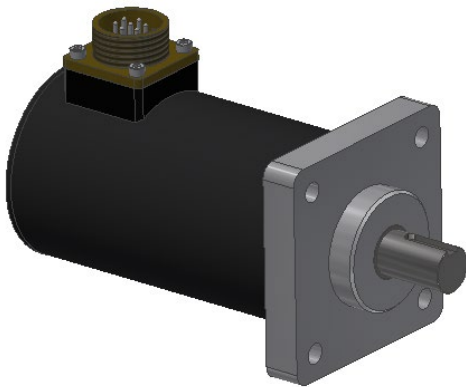
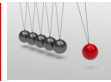


**Feedback Unit with Resolver**

**9350.03.350**



**Customer: US Navy Puget Sound**

- ➔ Compact Feedback Unit
- ➔ Geared resolver
- ➔ R1=26:1
- ➔ Replaces Neotech N-250448

**Technical specifications**

**Performance Specifications**

Temperature	-20°C to +65°C
Humidity	0-95% RH, Non-Condensing
Protection	IP64

<b>Resolver</b>	<b>R11XG1071</b>
Replacement For	Harowe 11-BRCX-300-G series
Type	Control Transmitter (Input=Rotor)
Excitation Frequency	400 Hz
Transformation Ratio	0.45

<b>R1 Resolver</b>	<b>Ratio +26:-1</b>
Gears	Z1 = Z20 M0.25
	Z2 = Z80 M0.25
	Z3 = Z22 M0.25
	Z4 = Z143 M0.25

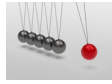
**Label**

**Position Transducer    App.Nr. M-XXXXXX**  
FR66 R=26:1  
Replaces Neotech N-250448

MICRONOR P/N 9350.03.350    CAGE 3VCF8  
USA    +1-805-389-6600    sales@micronor.com  
EUR    +41-44-843-4020    www.micronor.com

**Feedback Unit with Resolver**

**9350.03.350**



**Electrical Wiring**

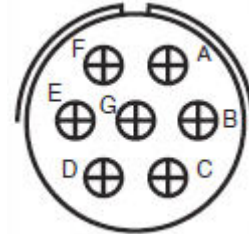
**Mounted Receptacle**

**Environmental Resisting, 7C, Male Pin Contacts  
MS3102R-16S-1P or MS3102E-16S-1P**

**Mating Plug (available separately)**

**MS3106F-16S-1S, 7C, Female/Socket Contacts**

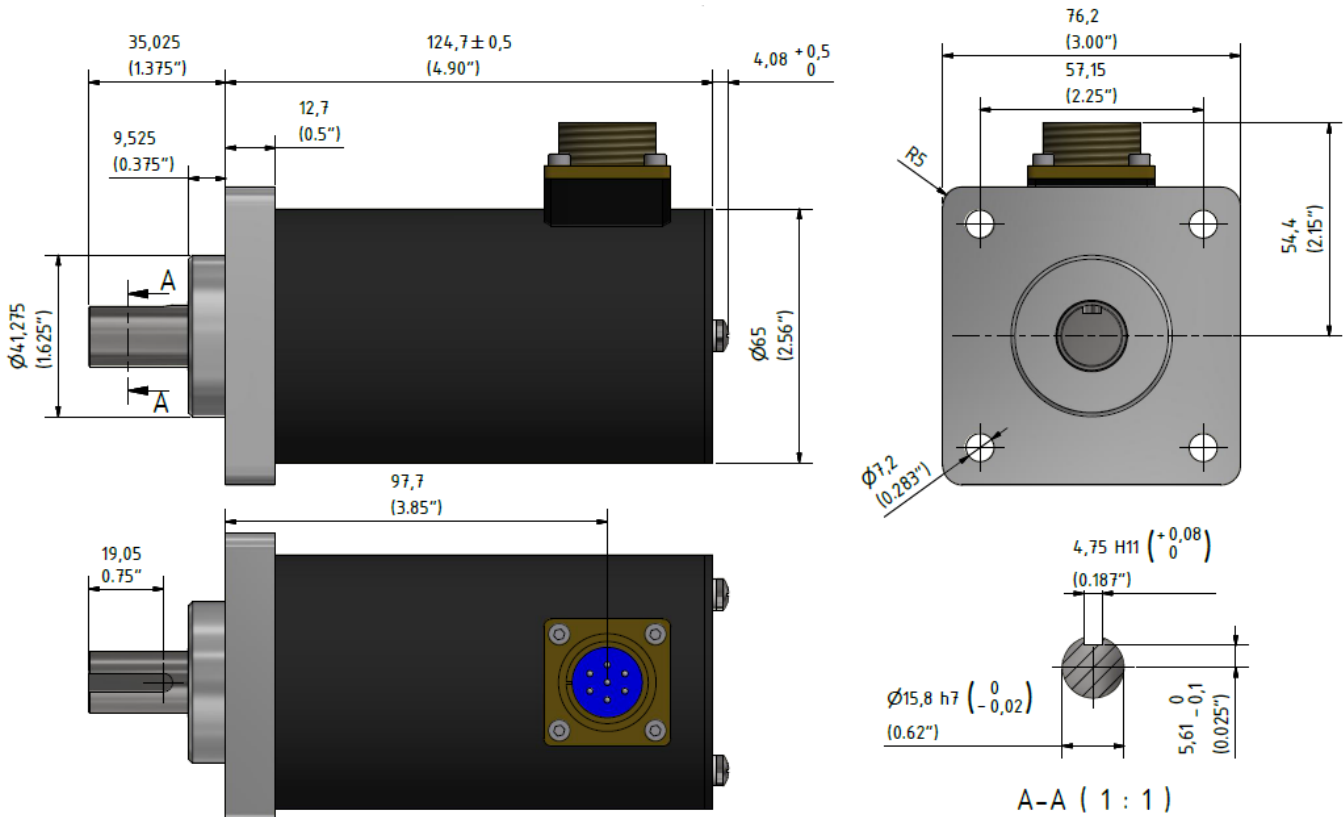
Wire colour	Component	Function	Connecor Pin No.	Notes.
Red/White	R1	Rotor 1	A	Excitation Input
Black/White	R1	Rotor 2	B	Excitation Input
Blue	R1	Stator 4 (S4)	C	Sine Output
White		Case Gnd	D	
Yellow	R1	Stator 2 (S2)	E	Sine Output
Red	R1	Stator 1 (S1)	F	Cosine Output
Black	R1	Stator 3 (S3)	G	Cosine Output



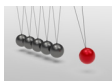
**Reference Drawing**

Dimension in mm

Length = 112mm



**9350.03.350**



Please Sign to Approve:

Name	Compartment	Date / Location
	US Navy Puget Sound (Customer)	
	Micronor Inc. (Sales)	

**Order code**

9350.03.350

FR66 R=26:1 MS3102A-16S-1P



**Questions ?**

USA : Phone: +1-805-389-6600 or EMail: sales@micronor.com