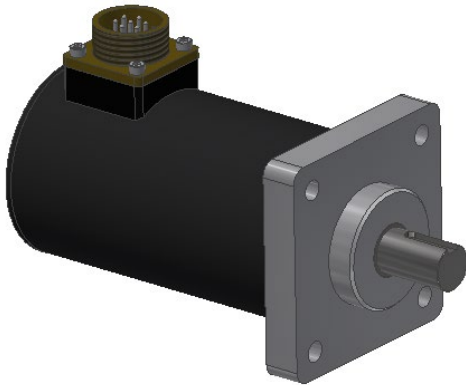
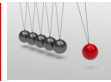


Feedback Unit with Resolver

9350.03.351



Customer: US Navy Puget Sound

- ➔ Compact Feedback Unit
- ➔ Geared resolver
- ➔ R1=21:1
- ➔ Replaces Neotech N-250449 (Whip Hoist)

Technical Specifications

Performance Specifications

Temperature	-20°C to +85°C
Humidity	0-95% RH, Non-Condensing
Protection	IP64

Resolver

Replacement For	R11XG1071
Type	Harowe 11-BRCX-300-G series
Excitation Frequency	Control Transmitter (Input=Rotor)
Transformation Ratio	400 Hz
	0.45

R1 Resolver

Gears	Ratio +21:-1
	Z1 = Z28 M0.25
	Z2 = Z84 M0.25
	Z3 = Z20 M0.25
	Z4 = Z140 M0.25

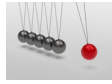
Label

Position Transducer App.Nr. M-XXXXXX
FR66 R=21:1, Whip Hoist
Replaces Neotech N-250449

MICRONOR P/N 9350.03.351 CAGE 3VCF8
USA +1-805-389-6600 sales@micronor.com
EUR +41-44-843-4020 www.micronor.com

Feedback Unit with Resolver

9350.03.351



Electrical Wiring

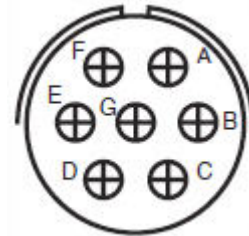
Mounted Receptacle

Environmental Resisting, 7C, Male Pin Contacts
MS3102E-16S-1P (preferred) or MS3102R-16S-1P

Mating Plug (available separately)

MS3106F-16S-1S, 7C, Female/Socket Contacts

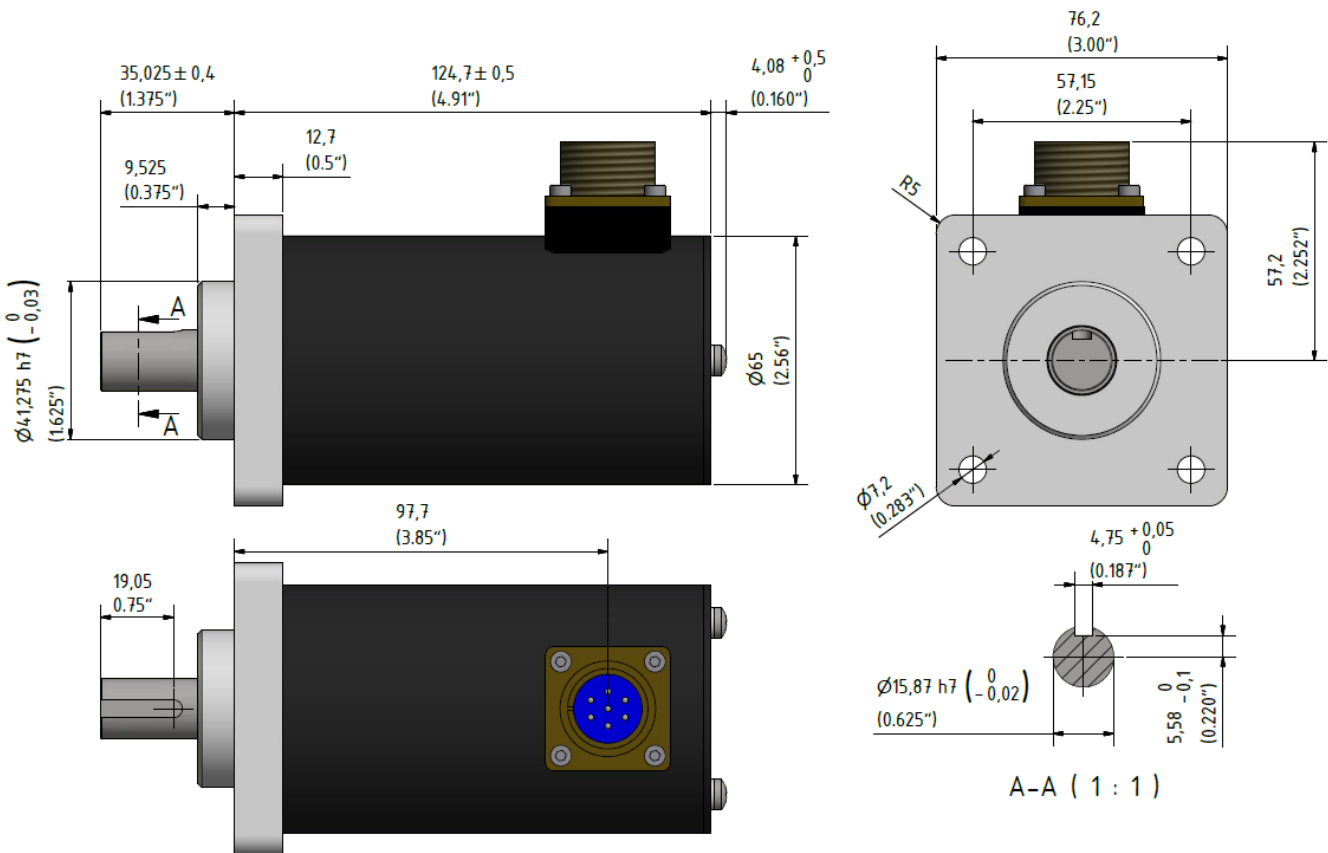
Wire colour	Component	Function	Connecor Pin No.	Notes.
Red/White	R1	Rotor 1	A	Excitation Input
Black/White	R1	Rotor 2	B	Excitation Input
Yellow	R1	Stator 2 (S2)	C	Sine Output
White		Case Gnd	D	
Blue	R1	Stator 4 (S4)	E	Sine Output
Red	R1	Stator 1 (S1)	F	Cosine Output
Black	R1	Stator 3 (S3)	G	Cosine Output



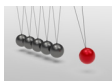
Reference Drawing

Dimensions in mm / inches

Length = 124.7mm/4.91"



9350.03.351



Please Sign to Approve:

Name	Compartment	Date / Location
	US Navy Puget Sound (Customer)	
	Micronor Inc. (Sales)	

Order code

9350.03.351

FR66 R=21:1 MS3102E-16S-1P



Questions ?

Phone: +1-805-389-6600 or Email: sales@micronor.com