

9350.04.248



OEM Customer: R.A. Jones

- Compact Feedback Unit
- Single Geared Resolver
- R1=1:1 (Direct Drive)
- Replaces Micron 36-306-670-1220
- Application: R.A. Jones packaging equipment

Performance Specifications

Temperature	-15°C to +60°C
Humidity	0-95% RH, Non-Condensing
Protection	IP64

Resolvers

R1 Ratio	R1 = +1 : +1
Gears	Direct Drive

Model	R11WF103
Micron Type	73-202-730
Type	Brushless Resolver, Control Transformer, Single Speed
Excitation Frequency	400Hz/2500Hz
Transformation Ratio	0.50
Accuracy	+/- 3 arcmin

Label

Position Transducer App.Nr. M-XXXXXX
FR90 R1=1:1
Replaces Micron 36-306-670-1220

MICRONOR P/N 9350.04.248

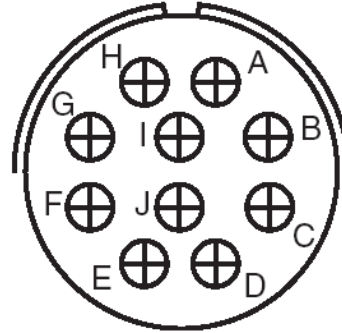
USA	+1-805-389-6600	sales@micronor.com
EUR	+41-44-843-4020	www.micronor.com

Specification not to be changed without customer approval

9350.04.248

Electrical Wiring

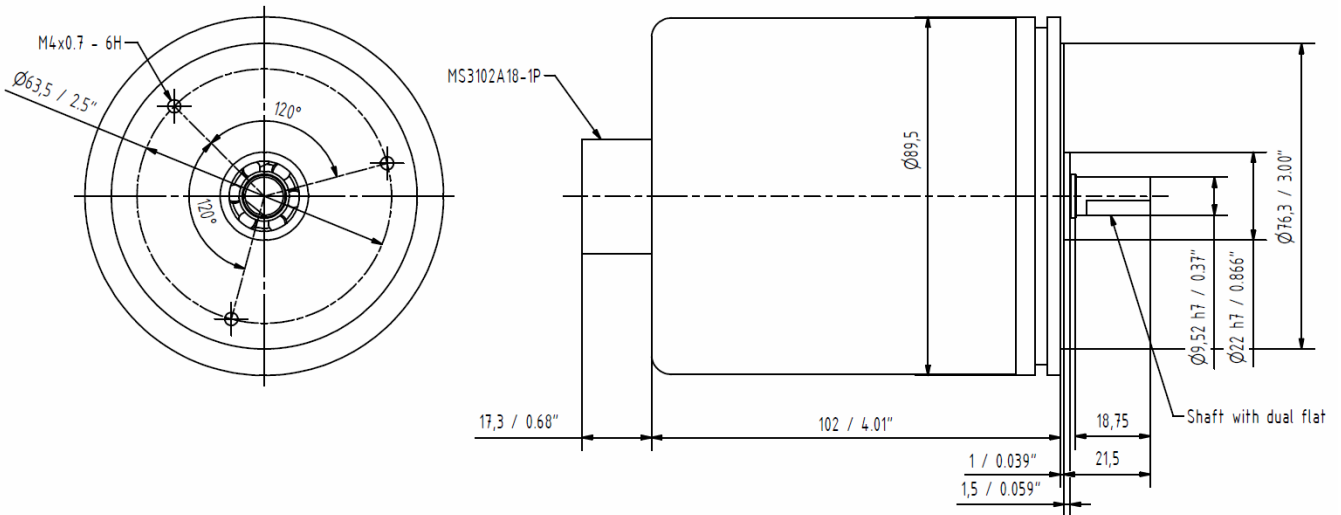
Wire colour	Resolver	Function	Connector / pin no.
Red/White	R1	Rotor 1	A
Black/White	R1	Rotor 2	B
			C (Not Connected)
Red	R1	Stator 1	D
Blue	R1	Stator 4	E
Black	R1	Stator 3	F
Yellow	R1	Stator 2	G
			H (Not Connected)
			I (Not Connected)
			J (Not Connected)



Flange Mount Receptacle:
MS3102A-18-1P (10-pin, Male/Pin Contacts)

Straight Mating Plug (available separately):
MS3106F-18-1S (10-pin, Female/Socket Contacts)

Reference drawing



Specification not to be changed without customer approval

For Sales & Service:

MICRONOR SENSORS INC. California-USA +1-805-389-6600 sales@micronor.com URL www.micronor.com
MICRONOR AG Switzerland: +41-44-843-4020 sales@micronor.ch URL www.micronor.ch

Page 2 of 2

DRAFT 08.06.2023