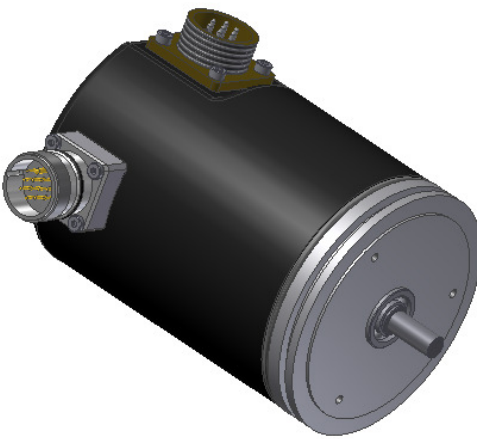


9600.00.065

	<p>OEM Manufacturer: PCMC/Indramat</p> <ul style="list-style-type: none"> • Compact Feedback Unit • Geared Resolver (+1:-1) • Geared Encoder (+1:-2) <ul style="list-style-type: none"> • PCMC P/N 30301222 • Replaces PCMC 141299.605.0 • Replaces Micron 36-308-705-1742 • Replaces Indramat MC011
---	---

Performance Specifications

Temperature	-15°C to +60°C
Humidity	0-95% RH, Non-Condensing
Protection	IP64

Resolver	Micronor R11BHW50FF533
Type	Control Transmitter
Speed	1
Excitation	2600 Hz
Transformation Ratio	1.069

Ratio	R1 = +1 : -1
Gears	(Z 75/Z75 Modul 0.3)

Encoder	EPC 15T-04SF-0512N5RHV-F03
Type	Incremental Encoder
Supply Voltage	+5 VDC
Resolution	512 ppr
Outputs	A/A'/B/B'/Z/Z' RS422 (line driver) outputs

Ratio	E1 = +1 : -2
Gears	(Z 100/Z50 Modul 0.3)

Label

Position Transducer App.Nr. M-XXXXXX		
E1=1:2 R1=1:1 per TD 9600.00.065		
Replaces Micron 36-308-705-1742 (MC011)		
PCMC P/N 30301222		
<u>MICRONOR P/N 9600.00.065</u>		
USA	+1-805-499-0114	sales@micronor.com
EUR	+41-44-843-4020	www.micronor.com

Specification not to be changed without customer approval

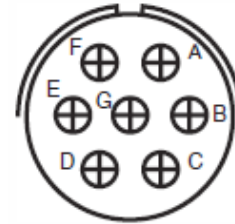
9600.00.065

Electrical Wiring Resolver

Wire colour	Resolver	Function	Connector / pin no.
Yellow/White	R1	Rotor 2	A
Red/White	R1	Rotor 1	B
Blue	R1	Stator 4	C
Yellow	R1	Stator 2	D
Black	R1	Stator 3	E
Red	R1	Stator 1	F
---			G (No Connection)

Mounted Receptacle:

MS3102A-16S-1P
(7-pin Male/Pin)

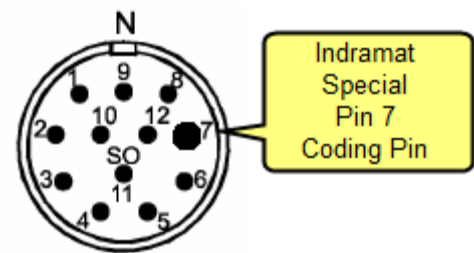


Electrical Wiring Encoder

Wire colour	Resolver	Function	Connector / pin no.
Green	E1	B'	1
----	E1	N/C	2 (No Connection)
Orange	E1	Z	3
Blue	E1	Z'	4
Yellow	E1	A'	5
Brown	E1	A	6
----			7 (LargePin-No Connection)
Red	E1	B	8
Black	E1	Ground	9
---			10 (No Connection)
---			11 (No Connection)
White	E1	+5V	12

Mounted Receptacle:

RDE RC-12P2N722300
(12-pin Male/Pin)



Includet: 4 pcs Hold down Clamps
4 pcs Scews M3x12

Specification not to be changed without customer approval

For Sales & Service:

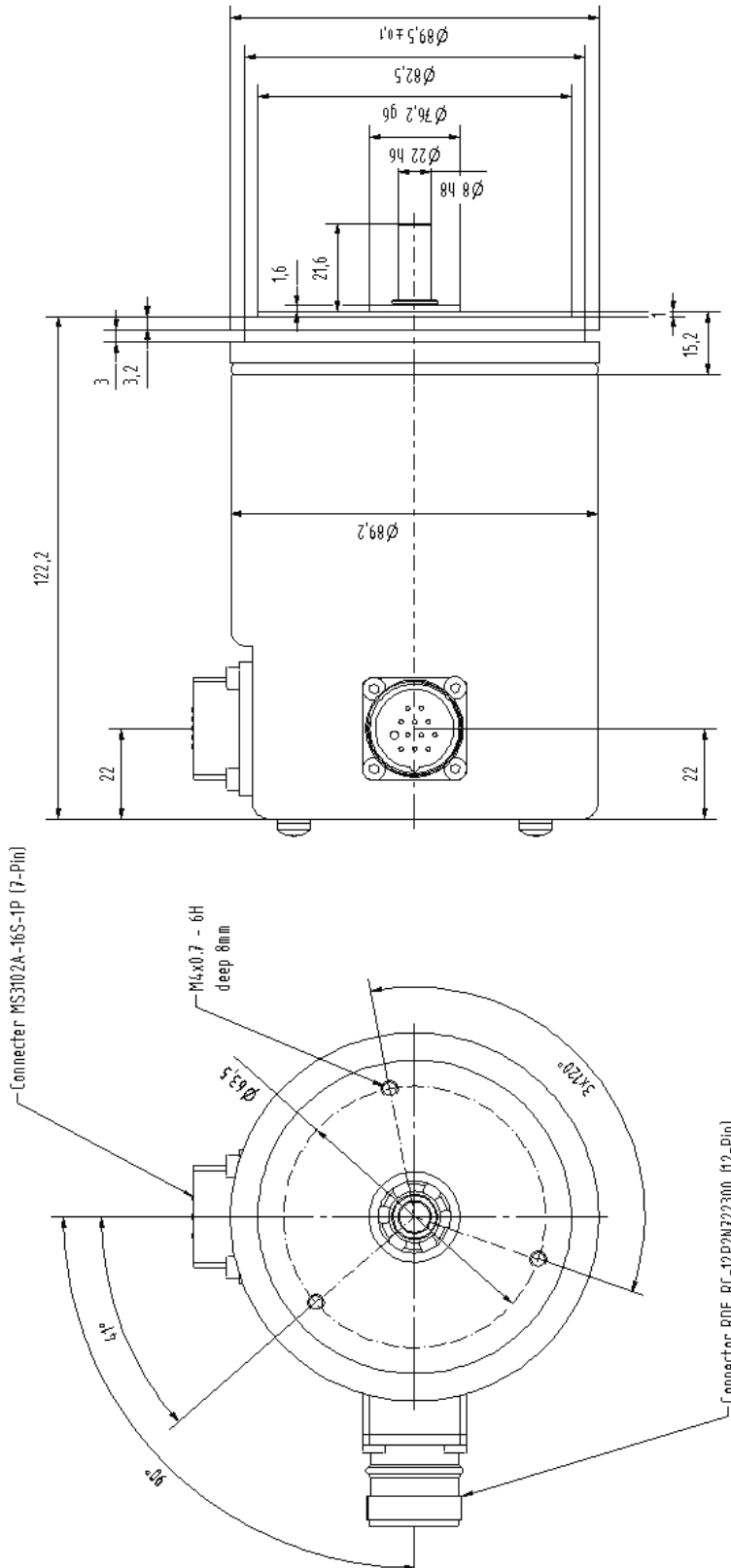
United States: Tel +1-805-389-6600 Fax +1-805-389-6605 URL www.micronor.com
Switzerland: Tel +41-44-843-4020 Fax +41-44-843-4039 URL www.micronor.ch

Page 2 of 4

15.03.2011
REV.0

9600.00.065

Reference drawing



t to be changed without customer approval

9600.00.065

Please Sign to Approve:

Name	Compartment	Date / Location
	Irving Tissue	
	Micronor Inc. (Sales)	

Specification not to be changed without customer approval