


High temperature Type ENI 58T



- High temperature model up to 110 °C. Application at high temperatures, e.g. in drive technology
- Only 42 mm clearance needed
- Very easy mounting. The encoder is mounted directly on the drive shaft without couplings. This saves up to 30 % cost and 60 % clearance compared to shaft versions
- Many variations
- Temperature and ageing compensation
- Short-circuit proof outputs
- Reverse connection protection for voltage supply
- Resolution up to 5000 ppr
- IP 66
-  available as explosion proof zone 2 and 22

Mechanical characteristics:

Speed without sealing:	max. 12000 min ⁻¹
Speed with sealing ¹⁾ :	max. 6000 min ⁻¹
Rotor moment of inertia:	approx. 6 x 10 ⁻⁶ kgm ²
Starting torque without sealing:	< 0.01 Nm
Starting torque with sealing:	< 0.05 Nm
Weight:	approx. 0.4 kg
Protection acc. to EN 60 529 without sealing:	IP 40
Protection acc. to EN 60 529 with sealing:	IP 66
Working temperature without sealing:	-20 °C ... +105 °C ²⁾³⁾
Working temperature with sealing:	-20 °C ... +90 °C ²⁾³⁾
Operating temperature without sealing:	-20 °C ... +110 °C ²⁾³⁾
Operating temperature with sealing:	-20 °C ... +95 °C ²⁾³⁾
Shaft:	stainless steel, H7
Shock resistance acc. to DIN-IEC 68-2-27	2000 m/s ² , 6 ms
Vibration resistance acc. to DIN-IEC 68-2-6:	100 m/s ² , 10...2000Hz

¹⁾ For continuous operation max. 3000 min⁻¹ ventilated

²⁾ Non-condensing

³⁾ Depending on speed

Pulse rates available at short notice:

10, 20, 25, 30, 50, 60, 100, 120, 125, 127, 150, 180, 200, 216, 240, 250, 254, 256, 300, 314, 360, 375, 400, 500, 512, 600, 625, 720, 745, 750, 762, 800, 900, 927, 1000, 1024, 1250, 1270, 1400, 1500, 1800, 2000, 2048, 2250, 2400, 2500, 3000, 3600, 4000, 4096, 5000

Other pulse rates on request

Electrical characteristics:

Output circuit:	RS 422 (TTL-compatible)	Push-pull
Supply voltage:	5 V (±5 %) or 10 ... 30 V DC	10 ... 30 V DC
Power consumption (no load) without inverted signal:	–	typ. 55 mA / max. 125 mA
Power consumption (no load) with inverted signals:	typ. 70 mA / max. 100 mA	typ. 80 mA / max. 150 mA
Permissible load/channel:	max. ±20 mA	max. ±30 mA
Pulse frequency:	max. 300 kHz	max. 300 kHz
Signal level high:	min. 2.5 V	min. U _B -2.5 V
Signal level low:	max. 0.5 V	max. 2.0V
Rise time t _r :	max. 200 ns	max. 1 μs
Fall time t _f :	max. 200 ns	max. 1 μs
Short circuit proof outputs: ¹⁾	yes ²⁾	yes
Reverse connection protection at UB:	5 V: no; 10 ... 30 V: yes	yes

Conforms to CE requirements acc. to EN 61000-6-1, EN 61000-6-4 and EN 61000-6-3

¹⁾ If supply voltage correctly applied

²⁾ Only one channel allowed to be shorted-out:

(If UB=5 V, short-circuit to channel, 0 V, or +UB is permitted)

(If UB=5-30 V, short-circuit to channel or 0 V is permitted)

High temperature Type ENI 58T

Terminal assignment

Signal:	0 V	0 V	+U _B	+U _B	A	\bar{A}	B	\bar{B}	0	$\bar{0}$	Shield
		Sensor ²⁾		Sensor ²⁾							
12 pin plug; Pin:	10	11	12	2	5	6	8	1	3	4	PH ¹⁾
Cable colour:	WH	WH	BN	BN	GN	YE	GY	PK	BU	RD	
	0.5 mm ²		0.5 mm ²								

1) PH = Shield is attached to connector housing

2) Sensor cables are connected to the supply voltage internally and if long feeder cables are involved can be used for adjusting or controlling the voltage at the encoder

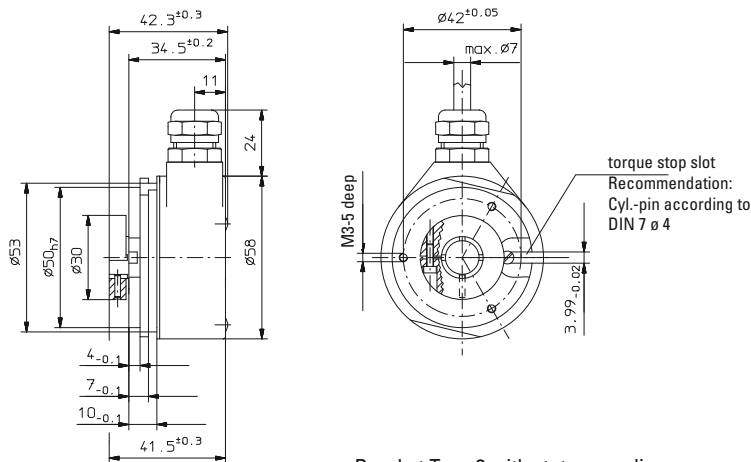
- If sensor cables are not in use, they have to be insulated or 0 V_{Sensor} has to be connected to 0 V and U_B_{Sensor} has to be connected to U_B

- Using RS 422 outputs and long cable distances, a wave impedance has to be applied at each cable end.

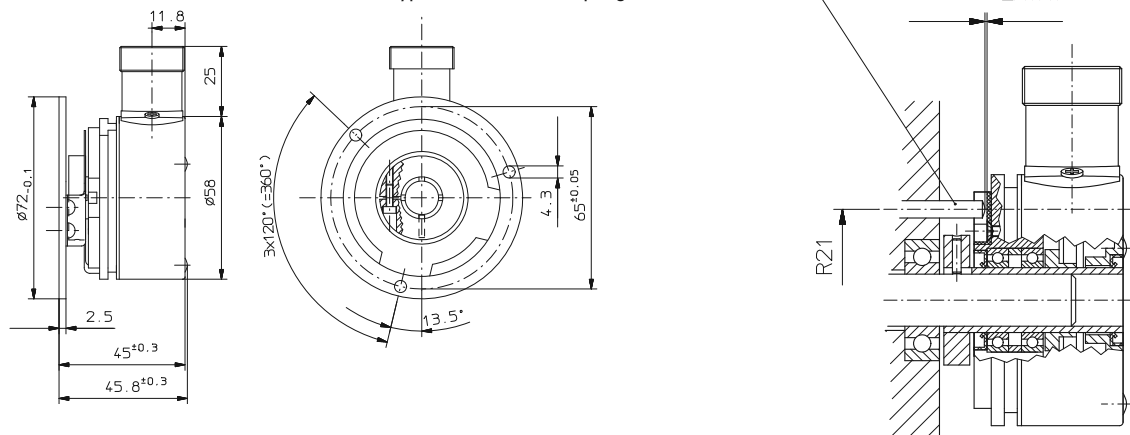
Insulate unused outputs before initial startup.

Dimensions

Bracket Type 1



Bracket Type 3 with stator coupling



Note: minimum insertion depth $1.5 \times D_{\text{hollow shaft}}$

Mounting advice:

1) The brackets and shafts of the encoder and drive should not both be rigidly coupled together at the same time.

2) When mounting a hollow shaft encoder, we recommend using a torque stop pin or a stator coupling.

3) When mounting the encoder ensure that the dimension L_{min.} is larger than the axial maximum play of the drive. Otherwise there is a danger that the device could mechanically seize up.

High temperature Type ENI 58T

