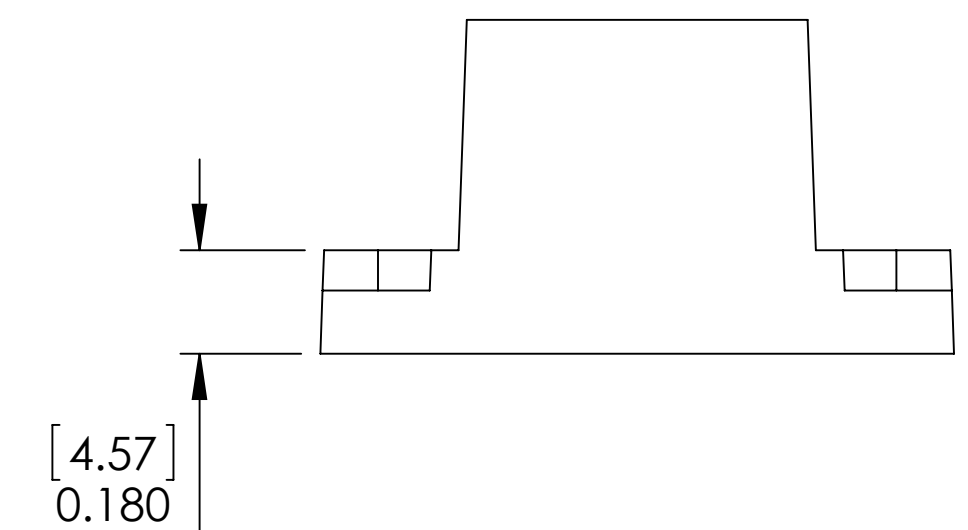
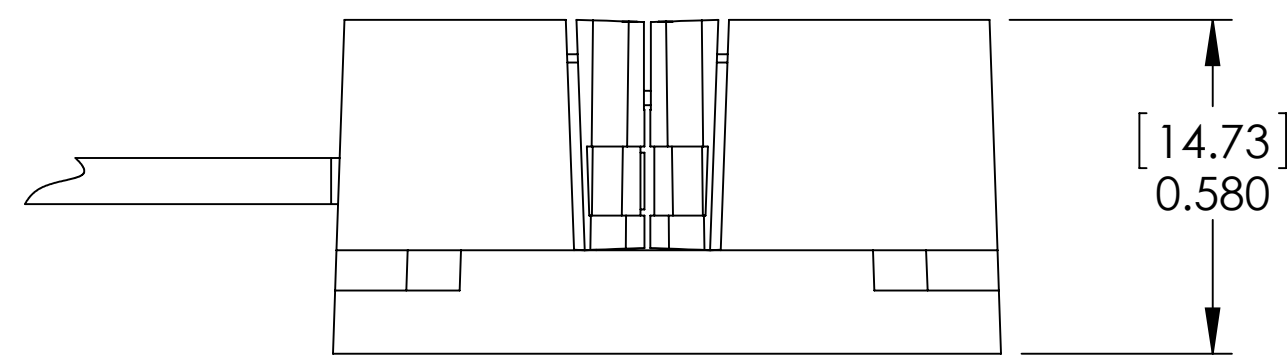
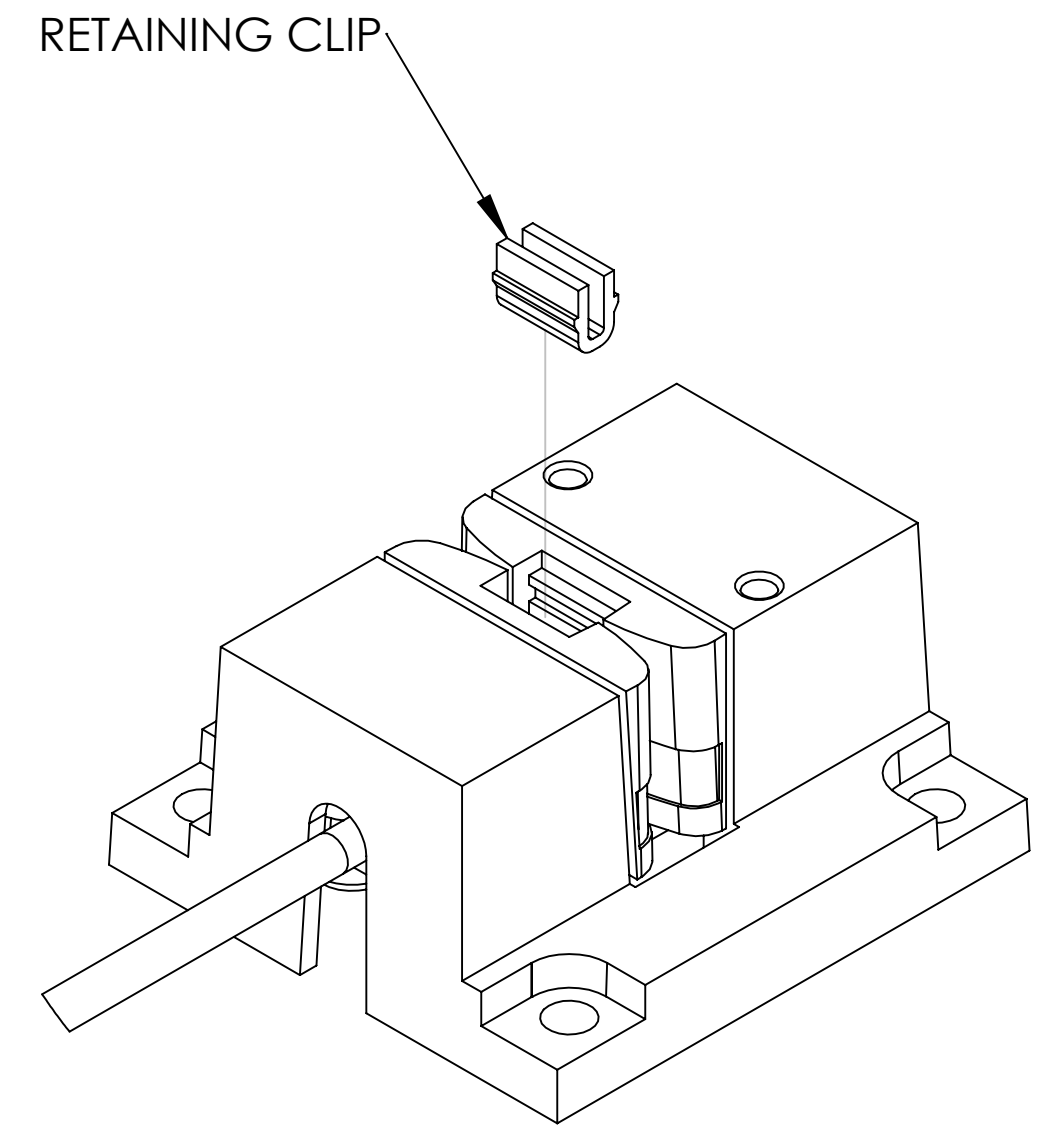
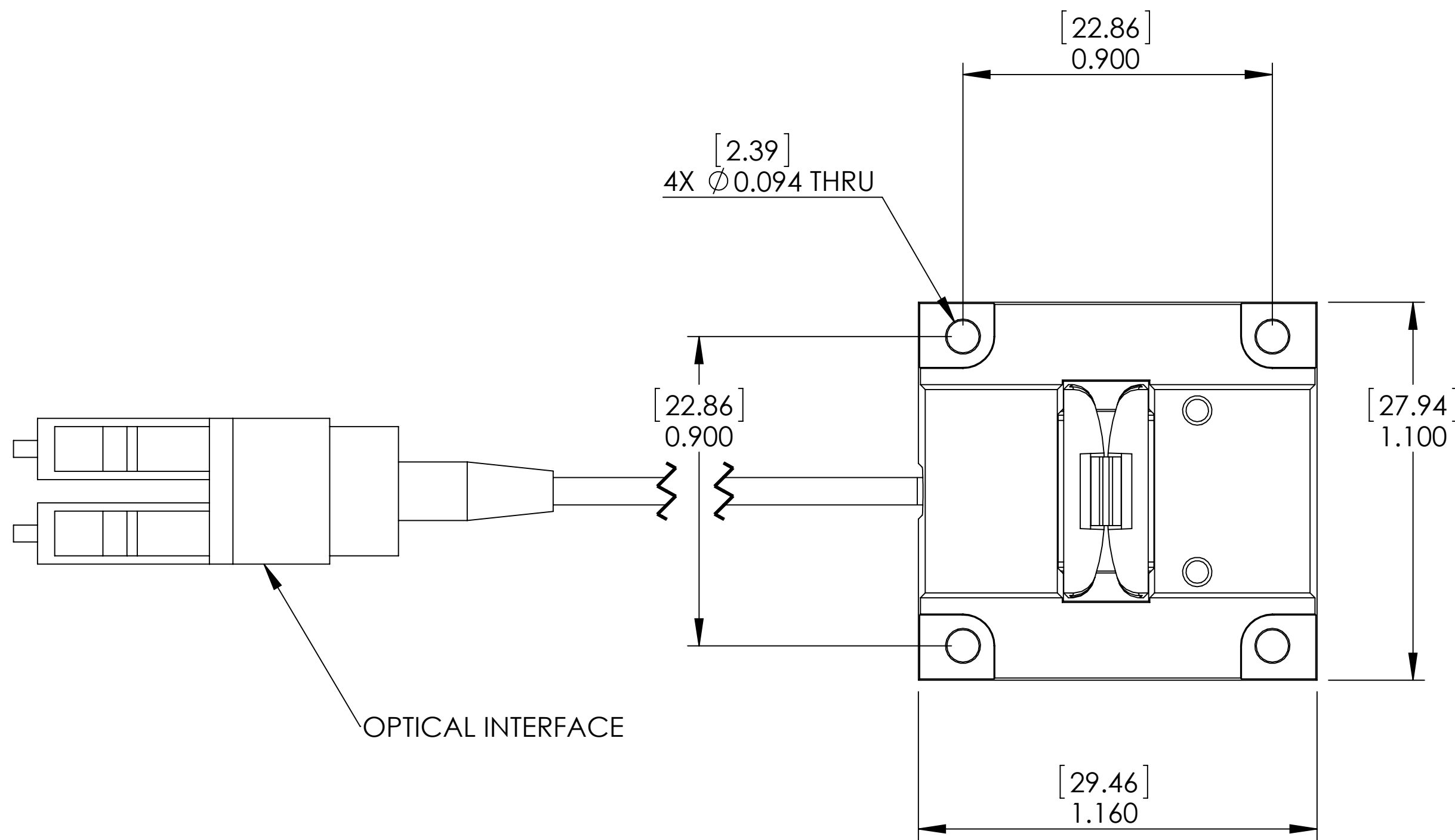


REVISIONS			
REV.	DESCRIPTION	DATE	APPROVED
A	PRODUCTION RELEASE	4-16-15	RGB



ORDERING CODE:
MR303- B 400 C 03

CONSTRUCTION
B = MRI SAFE

RESOLUTION
400 = 400 μ m PULSE TO PULSE

OPTICAL PIGTAIL LENGTH IN METER
1R5 = 1.5 METER
03 = 3 METER
05 = 5 METER
10 = 10 METER

OPTICAL INTERFACE
C = LC DUPLEX

(EXAMPLE: MR303-B400C03, STANDARD MRI SAFE LINEAR ENCODER WITH 400 μ m RESOLUTION, 3M PIGTAIL LENGTH WITH LC DUPLEX CONNECTOR)

1 WARNING: KEEP CONNECTOR COVERS IN PLACE DURING STORAGE, TO PROTECT FIBER OPTIC INTERFACES.

NOTES: UNLESS OTHERWISE SPECIFIED

PROPRIETARY AND CONFIDENTIAL
THE INFORMATION CONTAINED IN THIS DRAWING IS THE SOLE PROPERTY OF MICRONOR CORPORATION. ANY REPRODUCTION IN PART OR AS A WHOLE WITHOUT THE WRITTEN PERMISSION OF MICRONOR CORPORATION IS PROHIBITED.

UNLESS OTHERWISE SPECIFIED: DIMENSIONS ARE IN INCHES TOLERANCES: ANGULAR: $\pm 5^\circ$ TWO PLACE DECIMAL $\pm .02$ THREE PLACE DECIMAL $\pm .005$ FOUR PLACE DECIMAL $\pm .0010$	DRAWN R BOYER	NAME R BOYER	DATE 4-16-15	MICRONOR INC. NEWBURY PARK, CA (805) 499-0114
INTERPRET GEOMETRIC TOLERANCING PER: MATERIAL	CHECKED	ENG APPR.	MFG APPR.	TITLE: MR303 LINEAR SENSOR ENVELOPE
FINISH	Q.A.	COMMENTS:		SIZE DWG. NO. REV C 98-0303-30 A
DO NOT SCALE DRAWING	SCALE: 3:1		WEIGHT:	SHEET 1 OF 1