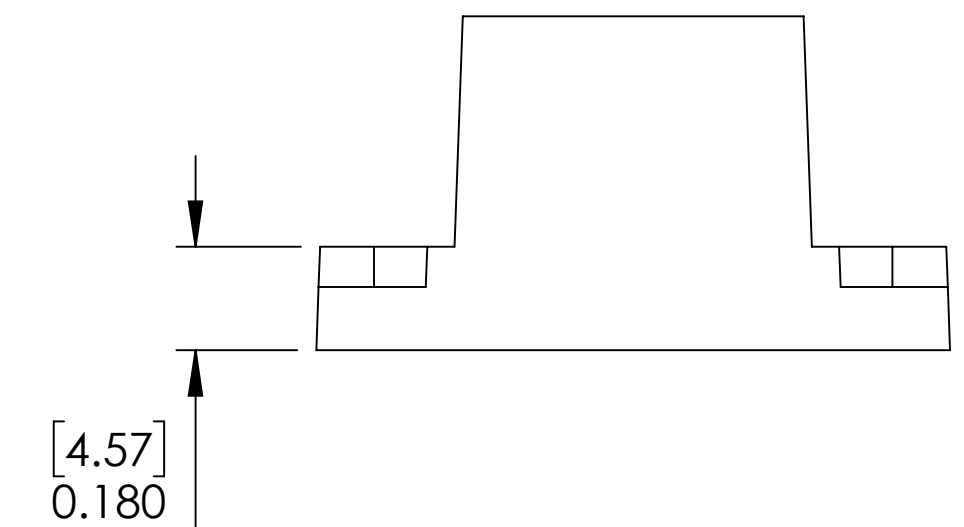
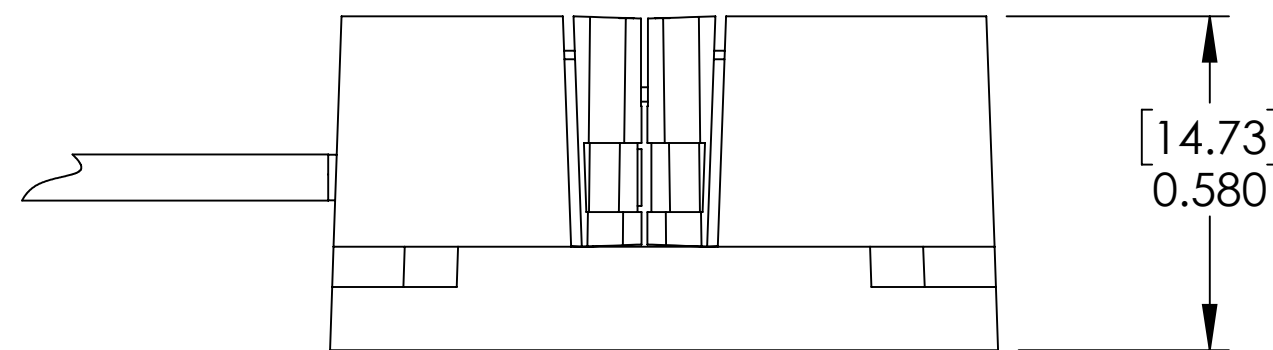
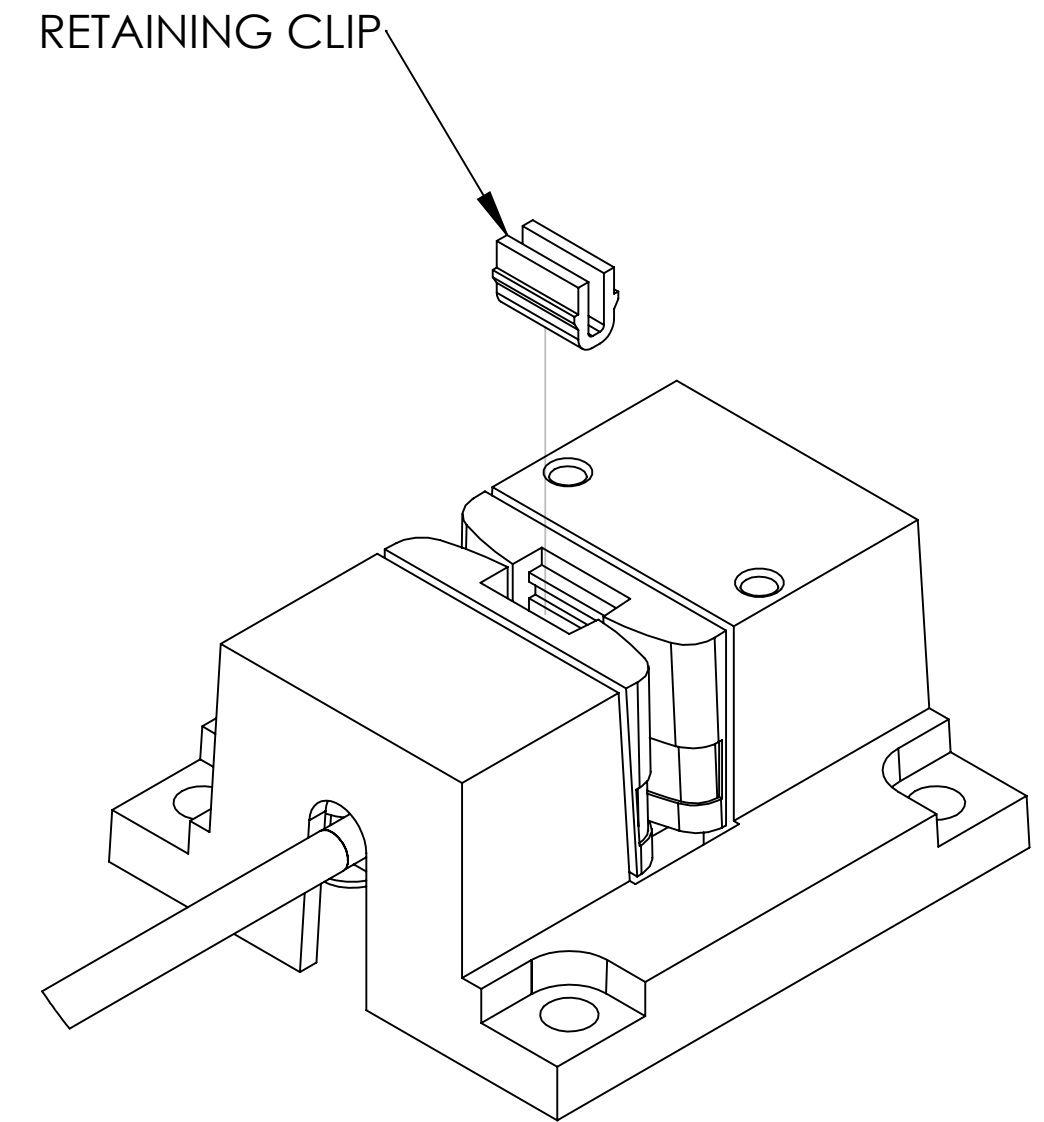
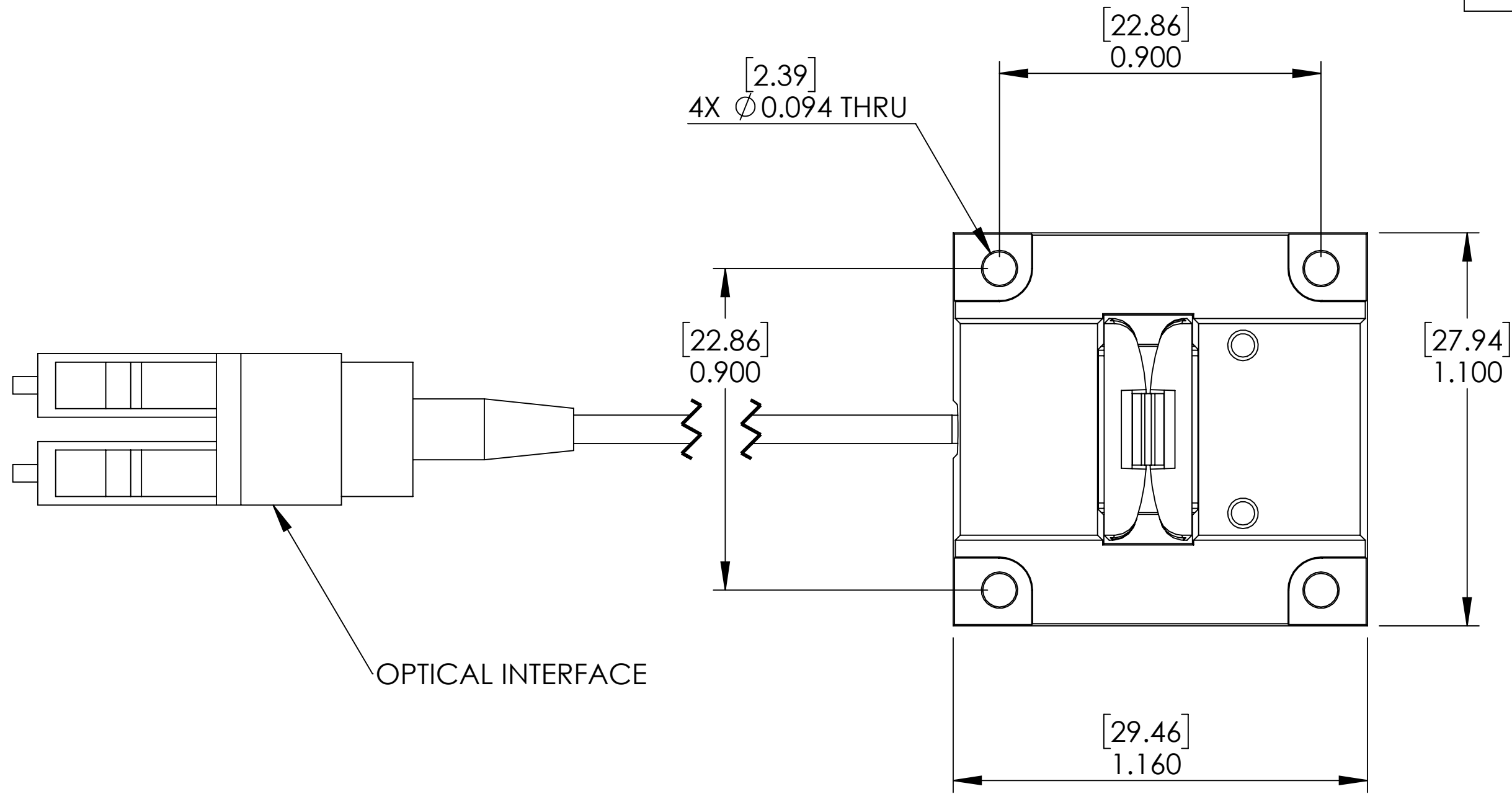


REVISIONS				
REV	DATE	ECN NO.	DRAWN BY	DESCRIPTION
A	1-22-18	N/A	RGB	MR303 TO MR343



ORDERING CODE:
MR343- B 400 C 03

CONSTRUCTION
B = MRI SAFE

RESOLUTION
400 = 400 μ m PULSE TO PULSE

OPTICAL PIGTAIL LENGTH IN METER
1R5 = 1.5 METER
03 = 3 METER
05 = 5 METER
10 = 10 METER

OPTICAL INTERFACE
C = LC DUPLEX

(EXAMPLE: MR343-B400C03, STANDARD MRI SAFE LINEAR ENCODER WITH 400 μ m RESOLUTION, 3M PIGTAIL LENGTH WITH LC DUPLEX CONNECTOR)

PROPRIETARY AND CONFIDENTIAL
THE INFORMATION CONTAINED IN THIS DRAWING IS THE SOLE PROPERTY OF MICRONOR INC. ANY REPRODUCTION IN PART OR AS A WHOLE WITHOUT THE WRITTEN PERMISSION OF MICRONOR INC. IS PROHIBITED.

UNLESS OTHERWISE SPECIFIED:
DIMENSIONS ARE IN INCHES
TOLERANCES:
TWO DECIMAL PLACE: \pm .01
THREE DECIMAL PLACE: \pm .004
FOUR DECIMAL PLACE: \pm .0010
ANGULAR: \pm .5°

 **micronor** FIBER OPTIC KINETIC SENSORS WWW.MICRONOR.COM
805 389 6600

TITLE:
MR343 LINEAR INCREMENTAL ENCODER ENVELOPE

MATERIAL: SEE NOTES
FINISH: SEE NOTES
DO NOT SCALE DRAWING

SIZE	DWG. NO.	REV
C	98-0340-54	A
SCALE:	3:1	SHEET: 1 OF 1

1 WARNING: KEEP CONNECTOR COVERS IN PLACE DURING STORAGE, TO PROTECT FIBER OPTIC INTERFACES.

NOTES: UNLESS OTHERWISE SPECIFIED