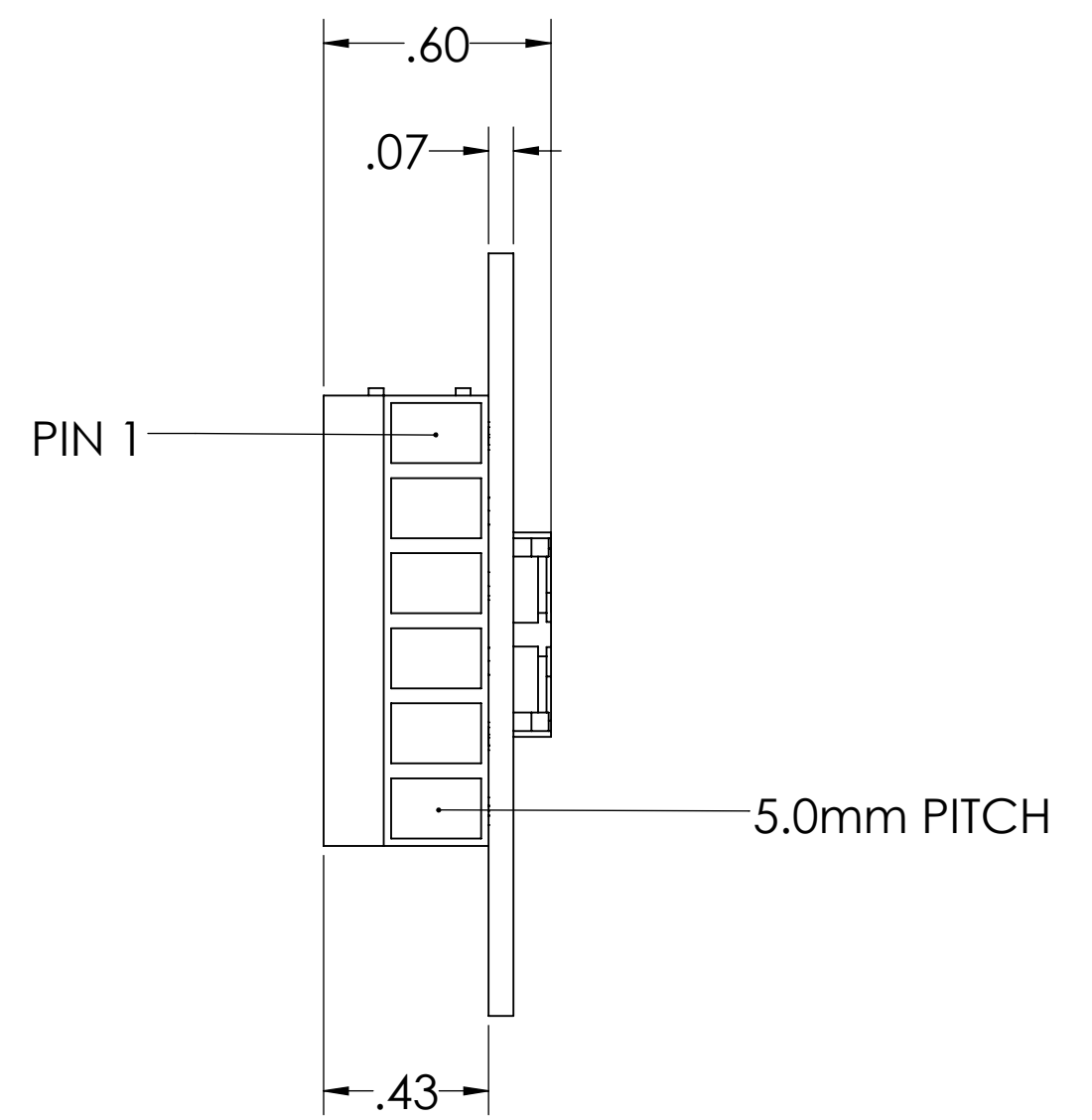
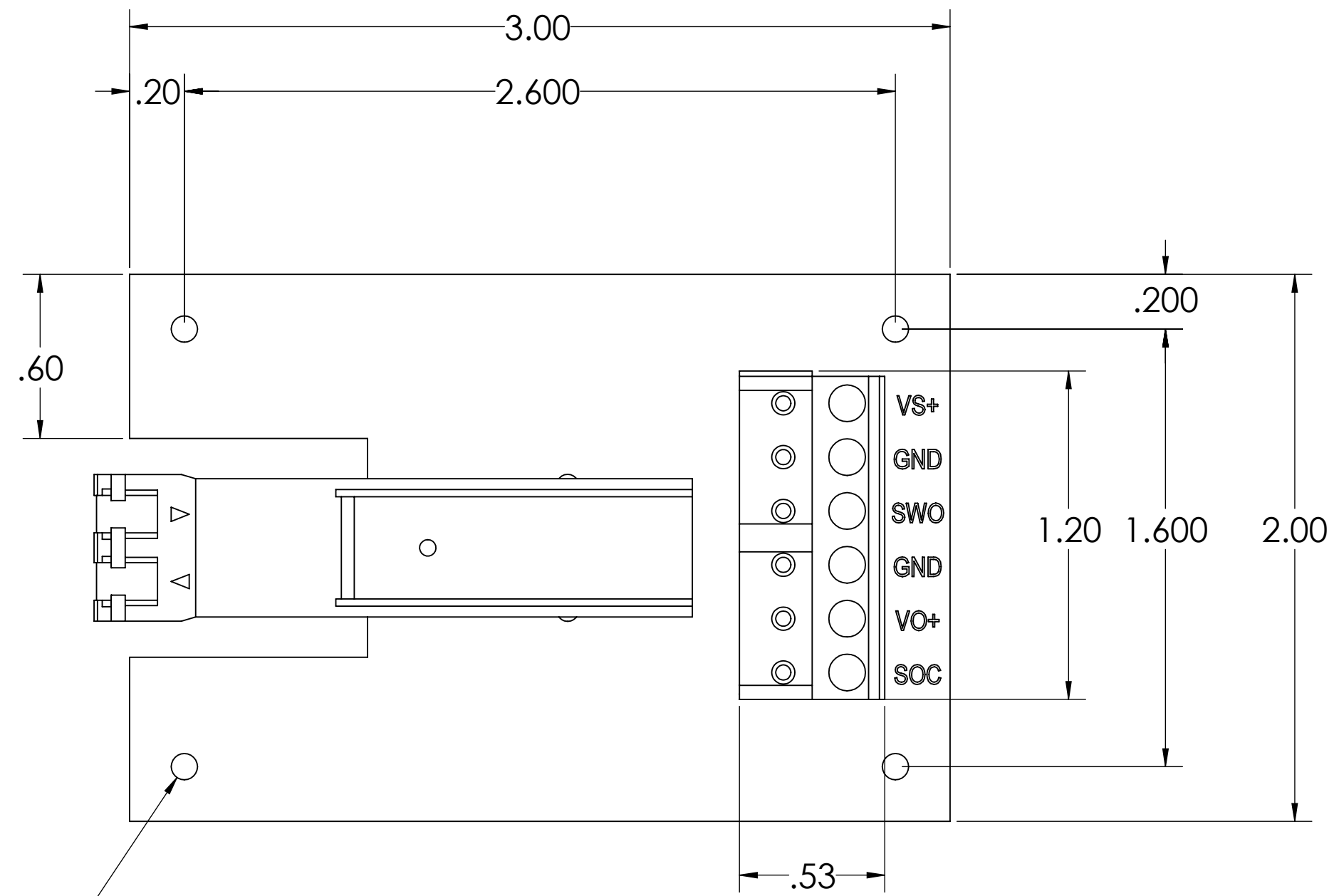
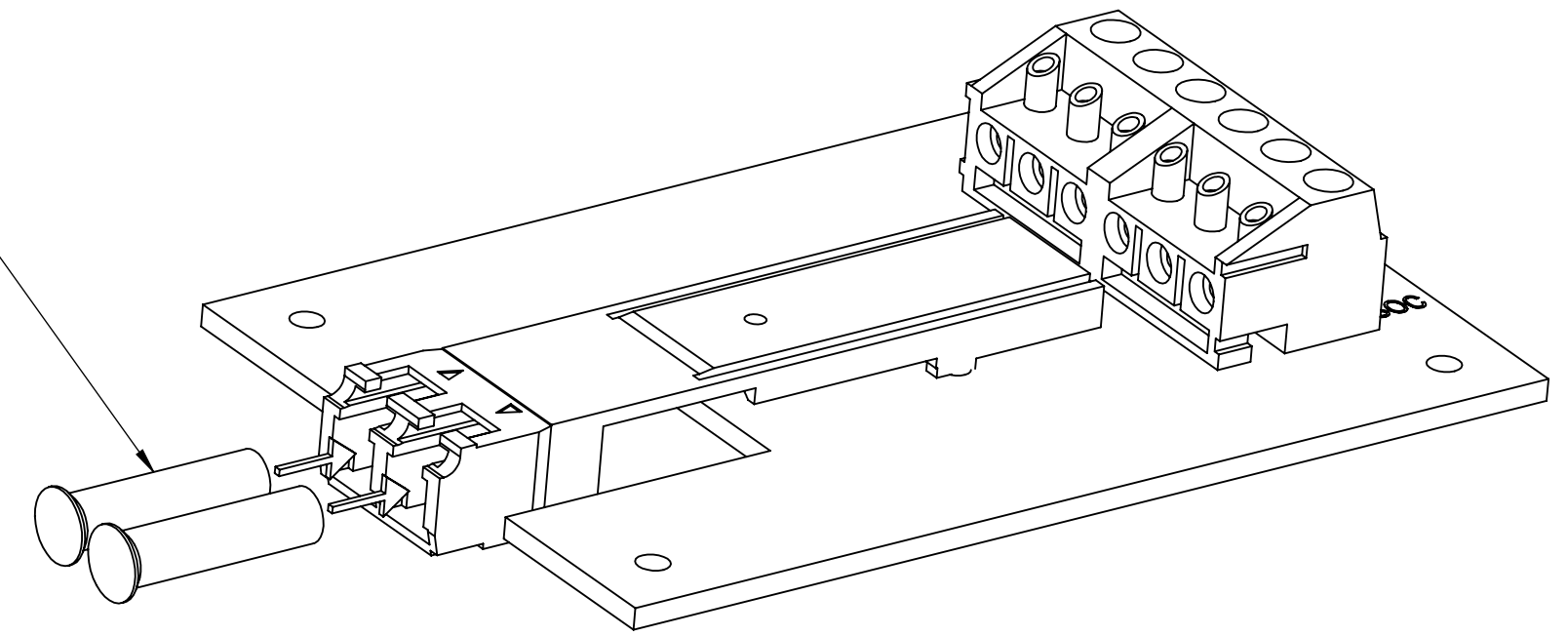


REVISIONS			
REV.	DESCRIPTION	DATE	APPROVED
A	NEW RELEASE	8/4/2016	AD
A1			DNH



4X ϕ .096 THRU ALL



PART NUMBER ORDERING CODE

MR380 - X - X X

Temperature Range

Blank Standard, -10C to +65C
E Extended, -40C to +70C

WAVELENGTH

1 MULTIMODE 850nm

PRODUCT

0 PCB CONTROLLER

2 WARNING: KEEP CONNECTOR COVERS IN PLACE DURING STORAGE TO PROTECT OPTICAL CONNECTOR

1 WARNING: AVOID SHARP BENDS IN FIBER CABLING KEEP BEND RADIUS GREATER THAN 0.5 INCH [13MM].

NOTES: UNLESS OTHERWISE SPECIFIED

PROPRIETARY AND CONFIDENTIAL
 THE INFORMATION CONTAINED IN THIS DRAWING IS THE SOLE PROPERTY OF MICRONOR INC. ANY REPRODUCTION IN PART OR AS A WHOLE WITHOUT THE WRITTEN PERMISSION OF MICRONOR INC. IS PROHIBITED.

UNLESS OTHERWISE SPECIFIED:		NAME	DATE	MICRONOR INC. CAMARILLO, CA (805) 389-6600
DIMENSIONS ARE IN INCHES		A DU	4/28/16	
TOLERANCES:		DRAWN		TITLE: CONTROLLER OEM
FRACTIONAL \pm		CHECKED		
ANGULAR: MACH \pm BEND \pm		ENG APPR.		
TWO PLACE DECIMAL \pm .01		MFG APPR.		SIZE DWG. NO. REV C MR380-0 A1
THREE PLACE DECIMAL \pm .004		Q.A.		
INTERPRET GEOMETRIC TOLERANCING PER:		COMMENTS:		SCALE: 2:1 WEIGHT: SHEET 1 OF 1
MATERIAL				
NEXT ASSY	USED ON	FINISH		
APPLICATION		DO NOT SCALE DRAWING		