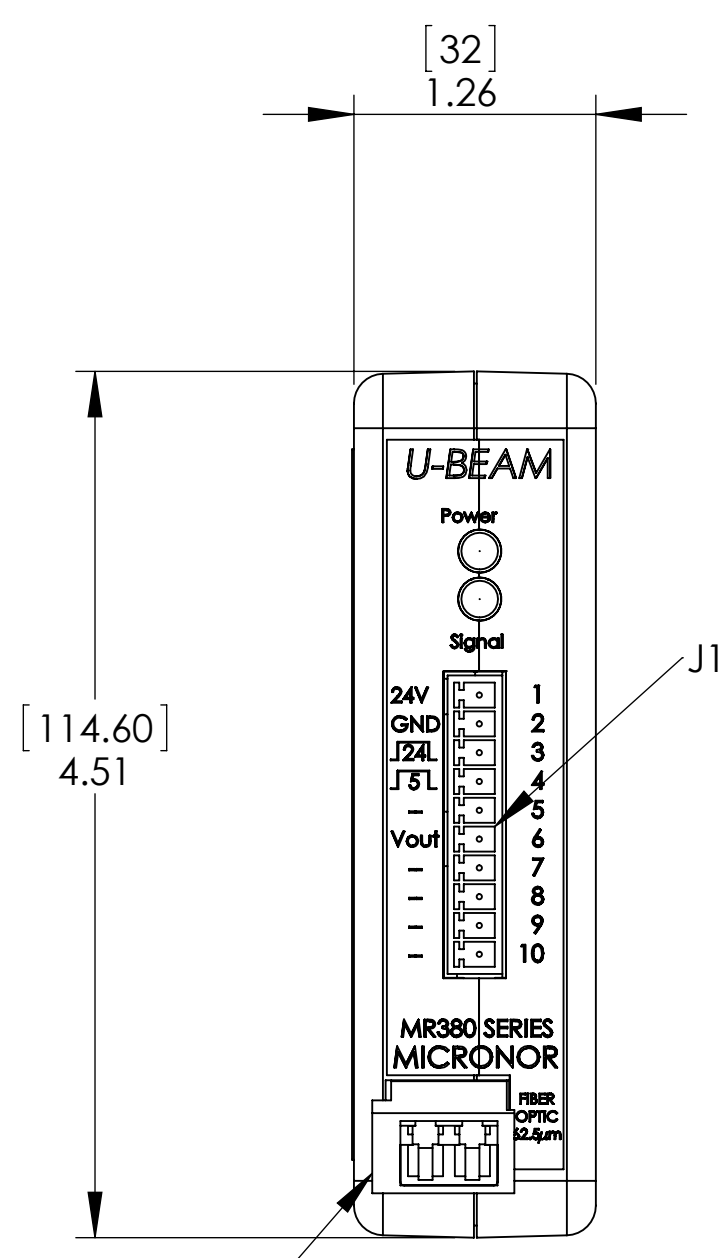
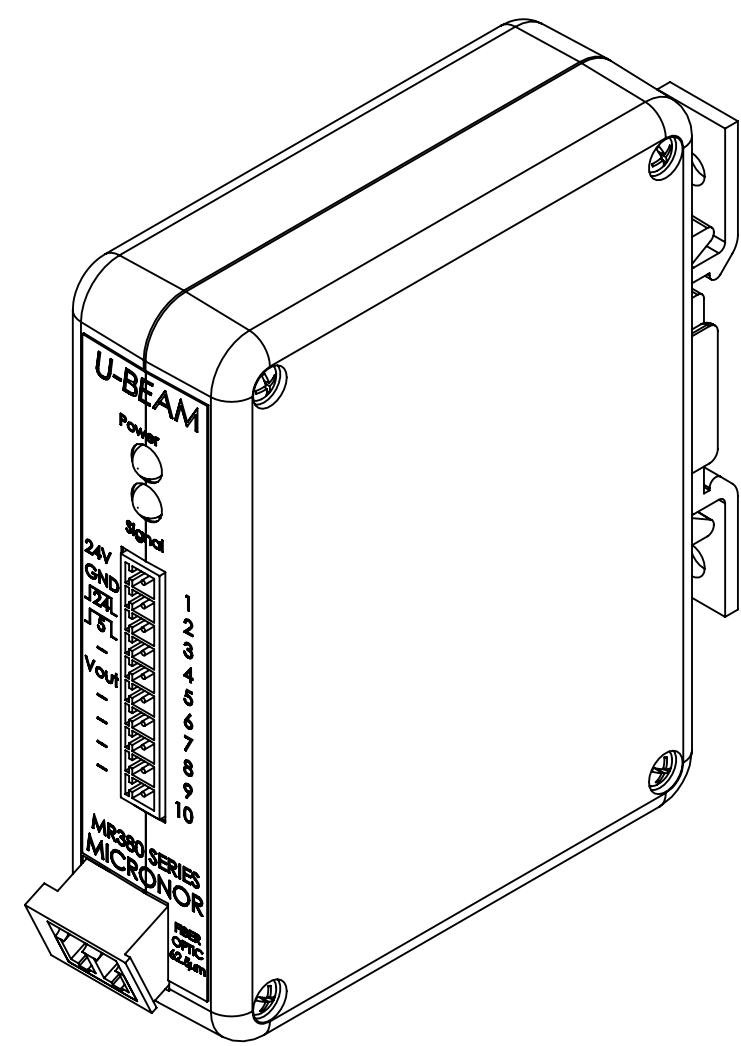
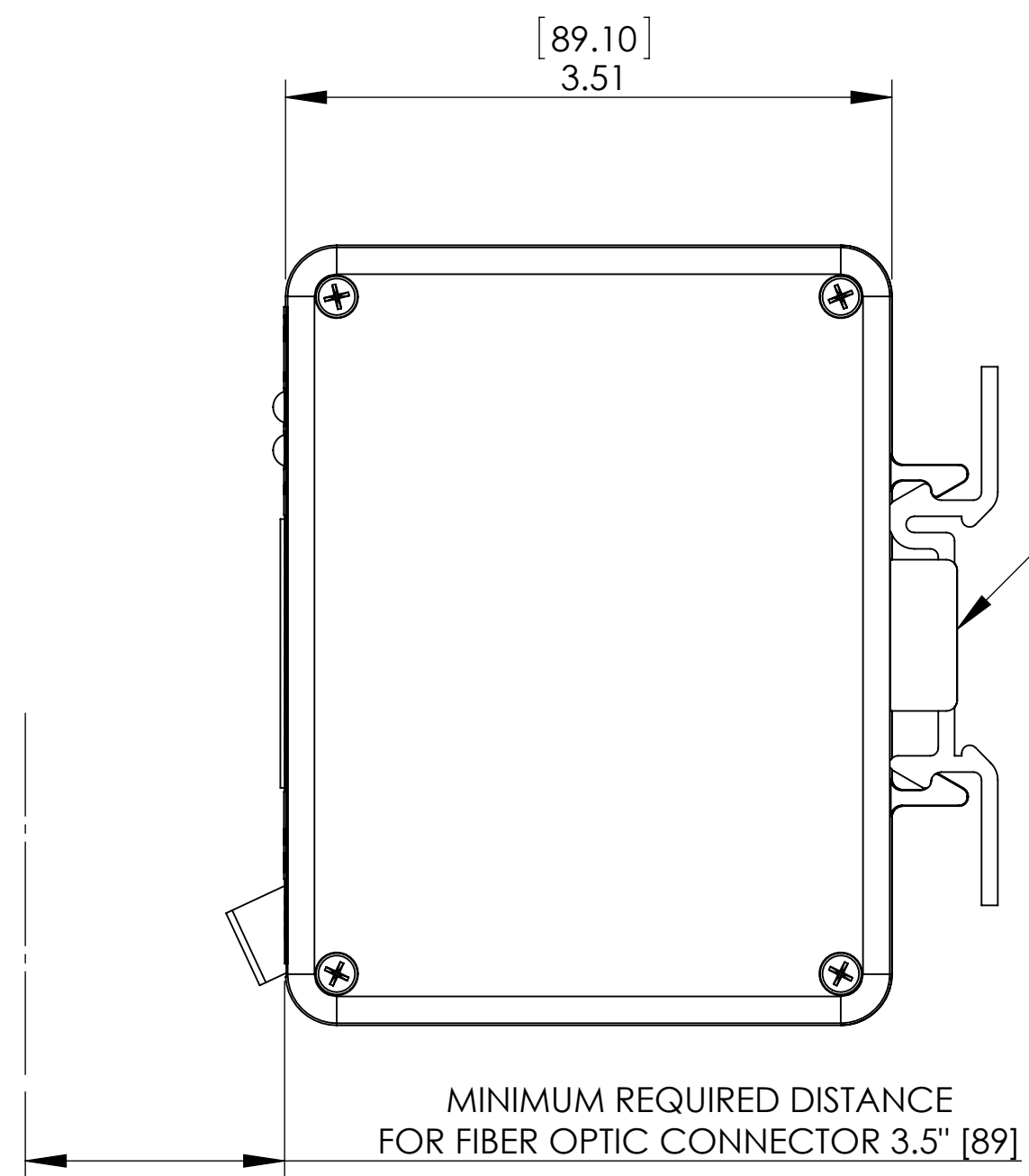


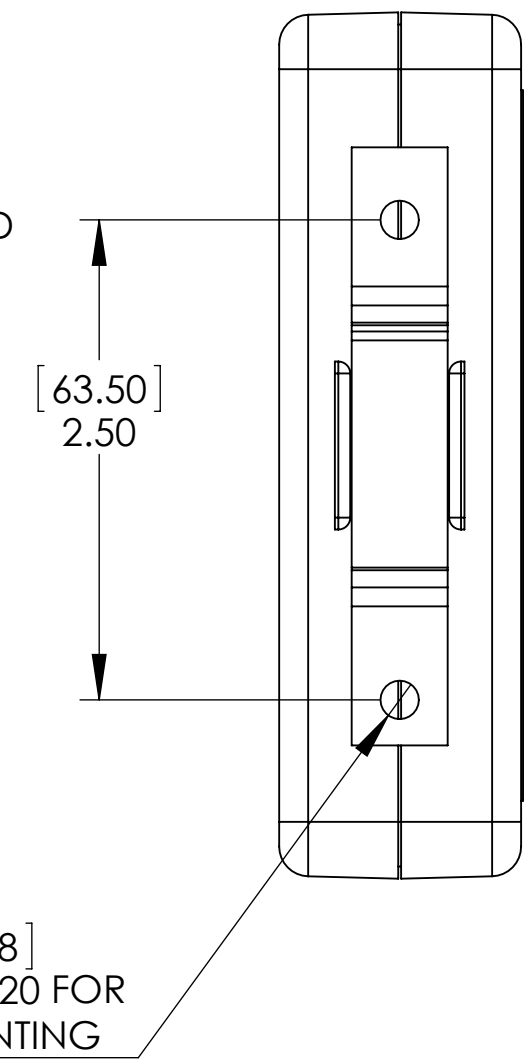
REVISIONS			
REV.	DESCRIPTION	DATE	APPROVED
A	NEW RELEASE	9-24-13	RGB



DUPLEX LC CONNECTOR



UNIT MOUNTS ONTO STANDARD 35MM DIN RAIL



J1 PHOENIX CONTACT P/N: 1803358 (10 PIN TERMINAL), MATING PLUG P/N: 1803659

TERMINAL	DESCRIPTION
1	+24VDC Power Supply Input
2	Ground Input
3	Digital 24V Normally High
4	Digital 5V Normally High
5	--
6	Frequency to Analog Voltage Out
7	--
8	--
9	--
10	--

1 WARNING: KEEP CONNECTOR COVERS IN PLACE DURING STORAGE, TO PROTECT FIBER OPTIC INTERFACES.

NOTES: UNLESS OTHERWISE SPECIFIED

PROPRIETARY AND CONFIDENTIAL
THE INFORMATION CONTAINED IN THIS DRAWING IS THE SOLE PROPERTY OF MICRONOR CORPORATION. ANY REPRODUCTION IN PART OR AS A WHOLE WITHOUT THE WRITTEN PERMISSION OF MICRONOR CORPORATION IS PROHIBITED.

UNLESS OTHERWISE SPECIFIED: DIMENSIONS ARE IN INCHES TOLERANCES: ANGULAR: ± .5° TWO PLACE DECIMAL ± .02 THREE PLACE DECIMAL ± .005 FOUR PLACE DECIMAL ± .0010	DRAWN R BOYER	NAME R BOYER	DATE 9-24-13	MICRONOR INC. NEWBURY PARK, CA (805) 499-0114
INTERPRET GEOMETRIC TOLERANCING PER: MATERIAL FINISH DO NOT SCALE DRAWING	CHECKED ENG APPR. MFG APPR.	Q.A.	COMMENTS:	
	SIZE C	DWG. NO. MR382-1	REV A	SCALE: 1:1
	WEIGHT:	SHEET 1 OF 1		