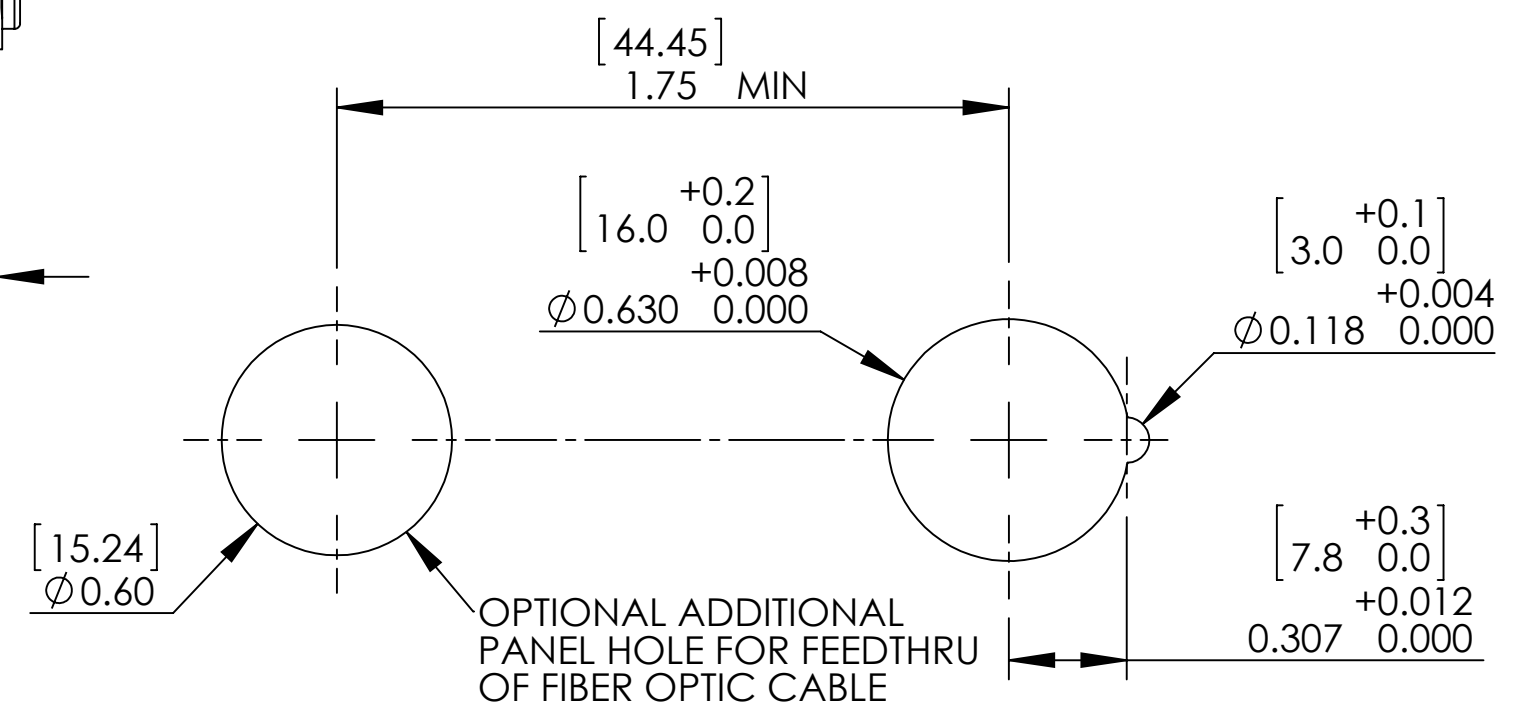
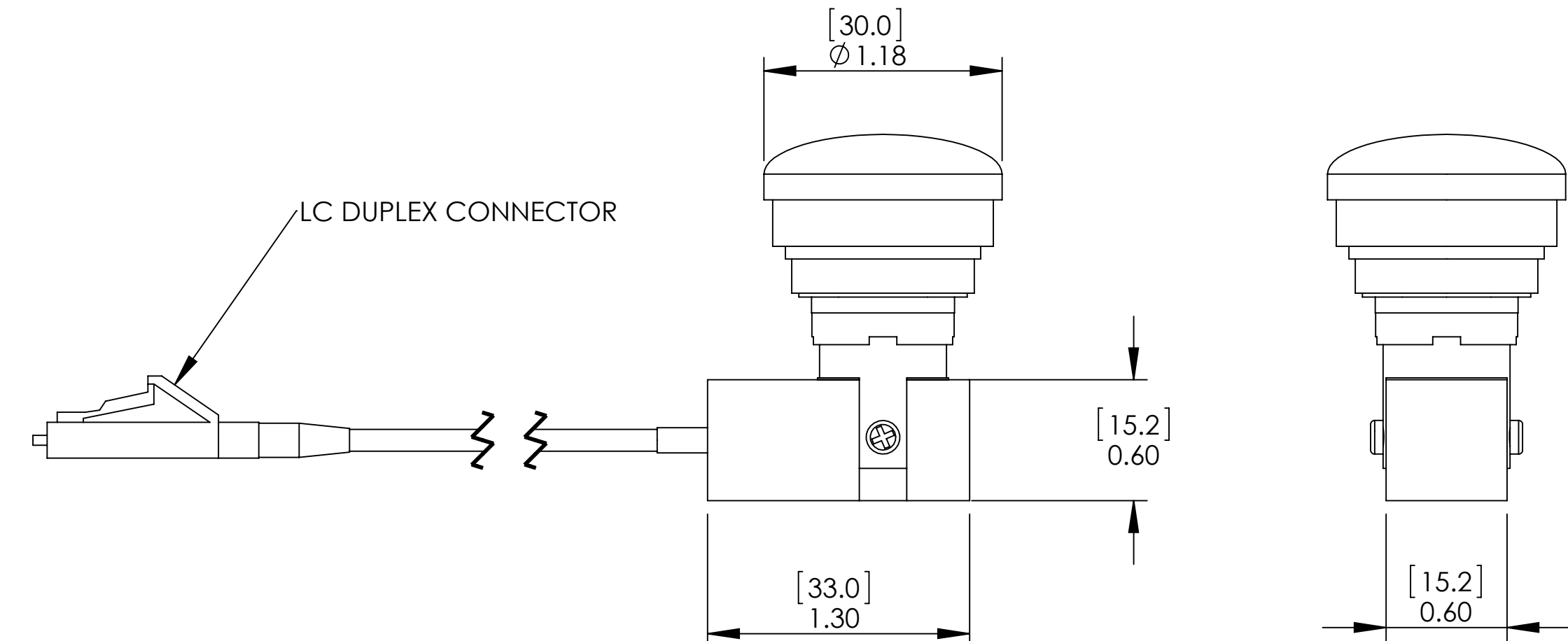
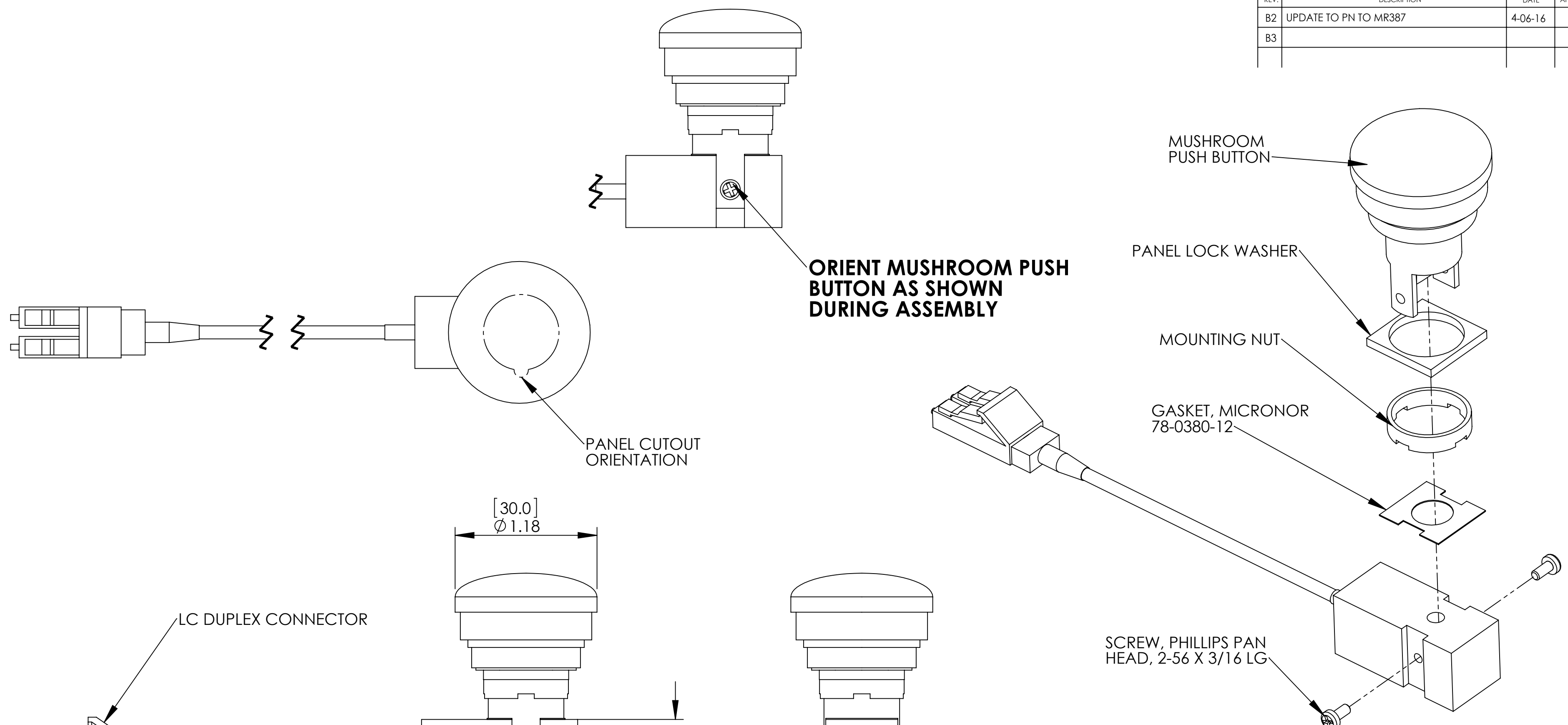


REVISIONS			
REV.	DESCRIPTION	DATE	APPROVED
B2	UPDATE TO PN TO MR387	4-06-16	DM
B3			DNH



**PART NUMBER ORDERING CODE**

MR387 - 2 S - 03

CABLE LENGTH IN METERS  
 1R5 = 1.5 METERS  
 03 = 3 METERS (STANDARD)  
 05 = 5 METERS  
 CONSULT FACTORY FOR OTHER LENGTHS

S = Ø30mm BUTTON  
 M = Ø40mm BUTTON

2 = WITH 62.5/125 OM-1 FIBER  
 3 = WITH SINGLE MODE OS1 FIBER  
 5 = WITH 50/125 OM-2 FIBER

**PANEL CUTOUT DIMENSIONS**

- 2 WARNING: KEEP CONNECTOR COVERS IN PLACE DURING STORAGE, TO PROTECT FIBER OPTIC INTERFACES.
- 1 WARNING: AVOID SHARP BENDS AND CABLE PINCHING. KEEP BEND RADIUS GREATER THAN 0.5 INCH [13MM].

NOTES: UNLESS OTHERWISE SPECIFIED

**PROPRIETARY AND CONFIDENTIAL**  
 THE INFORMATION CONTAINED IN THIS DRAWING IS THE SOLE PROPERTY OF MICRONOR CORPORATION. ANY REPRODUCTION IN PART OR AS A WHOLE WITHOUT THE WRITTEN PERMISSION OF MICRONOR CORPORATION IS PROHIBITED.

UNLESS OTHERWISE SPECIFIED:	NAME	DATE
DIMENSIONS ARE IN INCHES	DRAWN	R BOYER 8-15-13
TOLERANCES:	CHECKED	
ANGULAR: ± .5°	ENG APPR.	
TWO PLACE DECIMAL ±.02	MFG APPR.	
THREE PLACE DECIMAL ±.005	Q.A.	
FOUR PLACE DECIMAL ±.0010	COMMENTS:	
INTERPRET GEOMETRIC TOLERANCING PER:		
MATERIAL		
FINISH		
DO NOT SCALE DRAWING		

MICRONOR INC. NEWBURY PARK, CA (805) 499-0114		
TITLE: <b>FIBER OPTIC E-STOP SWITCH</b>		
SIZE <b>C</b>	DWG. NO. <b>MR387</b>	REV <b>B3</b>
SCALE: 1.5:1	WEIGHT:	SHEET 1 OF 1

