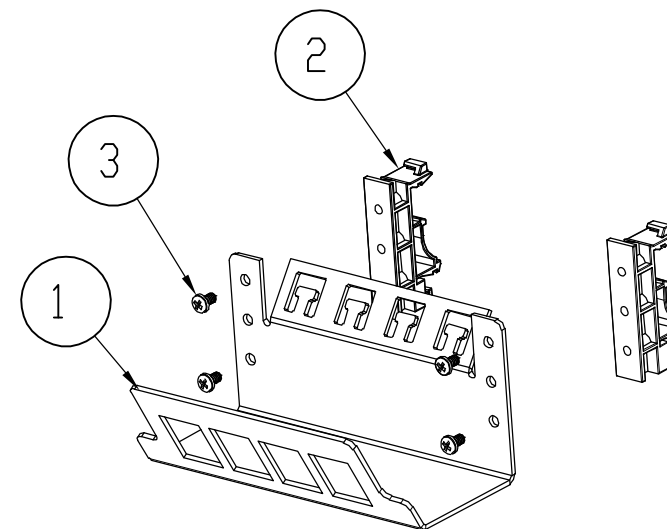
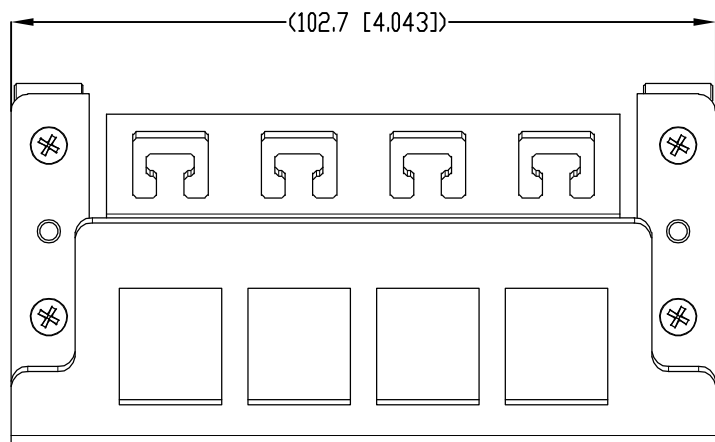
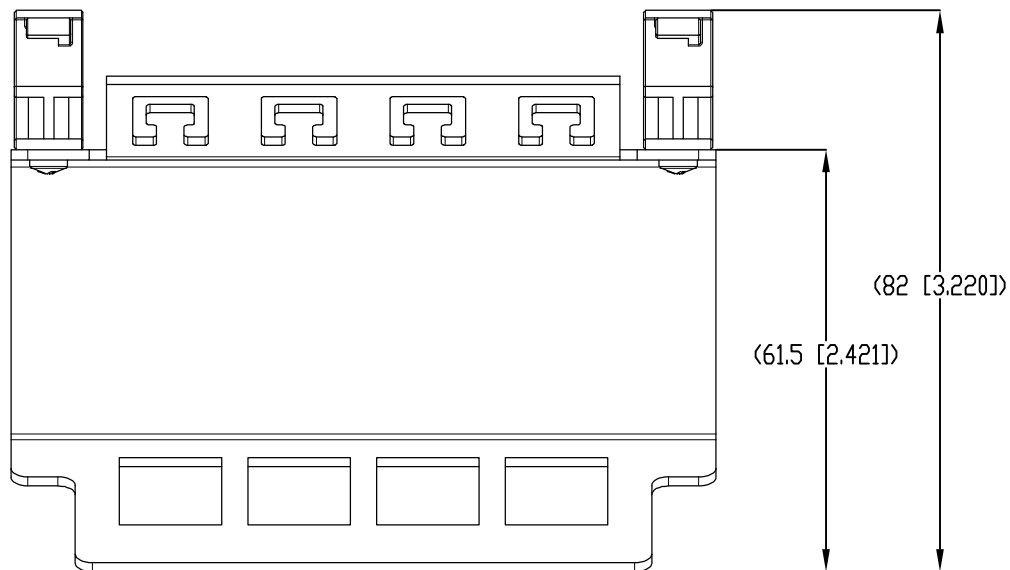
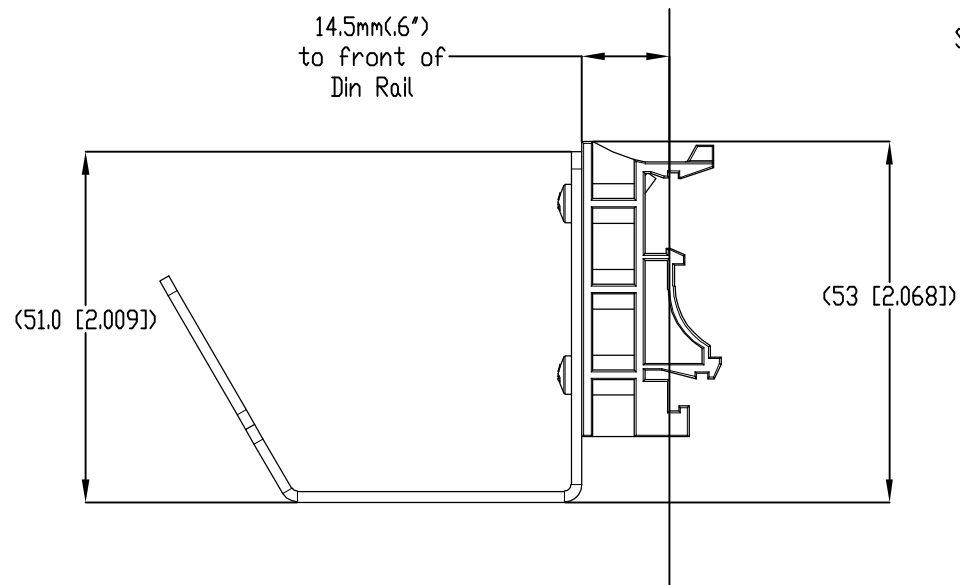


ITEM NO.	DESCRIPTION	QTY.
1	PANEL, 4 PORT DIN RAIL MOUNT, FOR ZMAX OUTLET (UTP)	1
2	CLIP, DIN RAIL MOUNTING, PLASTIC	2
3	SCREW, SELF TAPPING, #4-20 x 1/4"	4
-	CABLE TIES	4

REVISIONS					
REV.	ZCN/ECO	DESCRIPTION	BY	DATE	APPROVED
A	2586	ECR RELEASE	MJP	04/22/10	RC 5/17/2010



SHOWN AS EXPLODED VIEW  
SHIPPED ASSEMBLED.



PROPRIETARY INFORMATION  
THIS DOCUMENT CONTAINS PROPRIETARY INFORMATION OF THE SIEMON COMPANY AND IS DELIVERED ON THE EXPRESSED CONDITIONS THAT IT IS NOT TO BE DISCLOSED OR REPRODUCED IN WHOLE OR PART, OR USED FOR MANUFACTURING FOR ANYONE OTHER THAN THE SIEMON COMPANY WITHOUT ITS WRITTEN CONSENT AND THAT NO RIGHT IS GRANTED TO DISCLOSE OR SO USE ANY INFORMATION CONTAINED IN SAID DOCUMENT.

THE SIEMON COMPANY  
101 SIEMON COMPANY DRIVE  
WATERTOWN, CT 06795  
(860) 945-4200



TITLE PANEL, 4 PORT DIN RAIL MOUNT	
DWG. SIZE B	DWG. NO. M-9036416
PART NO. DIN-PNL-04-01	REV. A
SCALE 1:1	SHEET 1 OF 1

TOLERANCES		DRAWN BY:	DATE:
0 [.0]	±1 [±.04]	PARDEE	2010-04-22
.0 [.00]	±0.5[±.02]	CHECKED BY:	DATE:
.0 [.000]	±0.25[±.01]	DAVE G.	5/19/2010
ANGLE	±1°	ENGINEER:	DATE:
		CHASSE	5/19/2010
ANSI Y14.5M-1982 OR ISO 1101, 129 & 3040		DO NOT SCALE	
PRIMARY DIMENSIONS ARE MILLIMETERS DIMENSIONS IN BRACKETS [ ] ARE INCHES			

NOTES: 1. MATERIAL: PANEL: CRS, BLACK POWDER PAINT; SCREW: ZINC PLATED STEEL; MOUNTING CLIP: GRAY PLASTIC  
3. MOUNTS TO STANDARD 35mm DIN RAILS.  
2. CONTACT A SIEMON COMPANY CUSTOMER SERVICE REPRESENTATIVE FOR ADDITIONAL INFORMATION.

CUSTOMER USE DRAWING