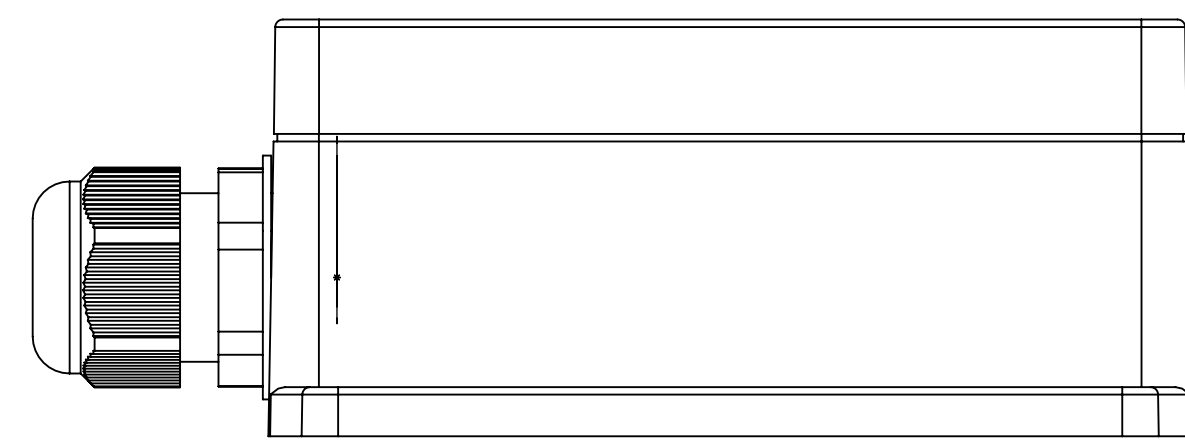
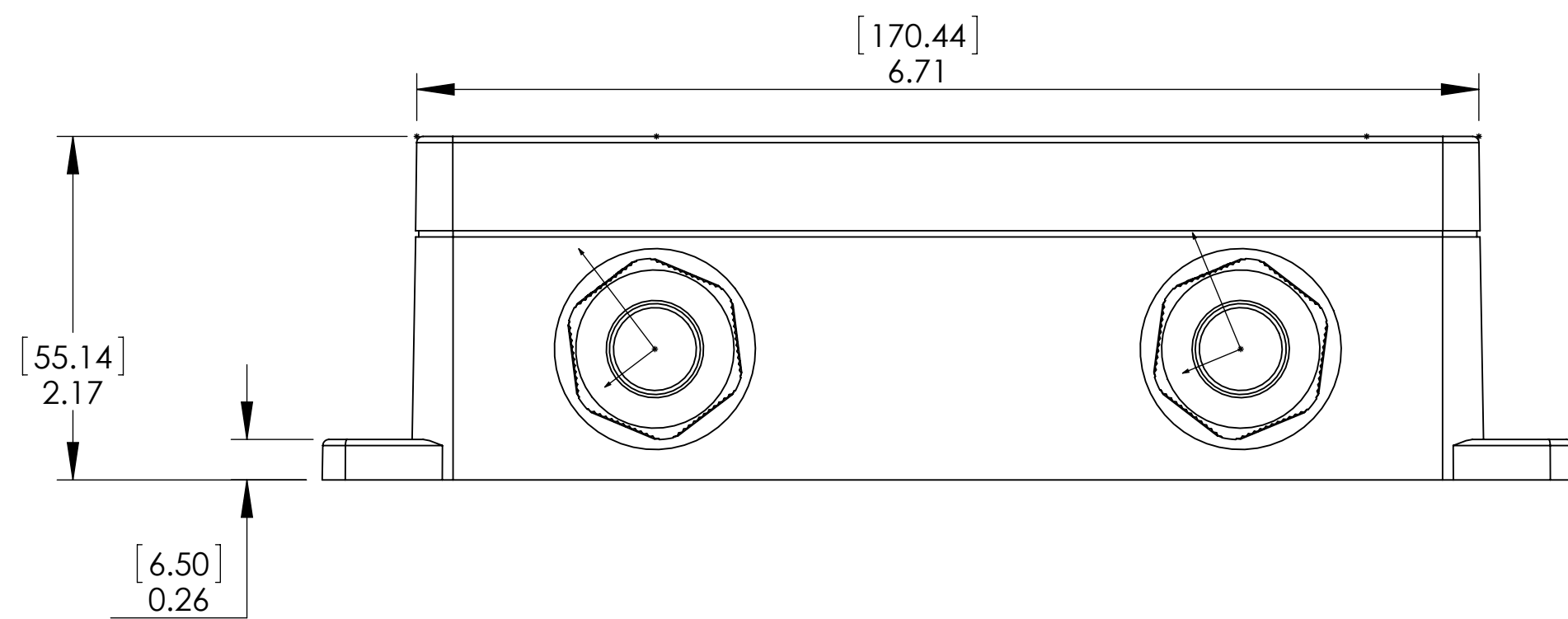
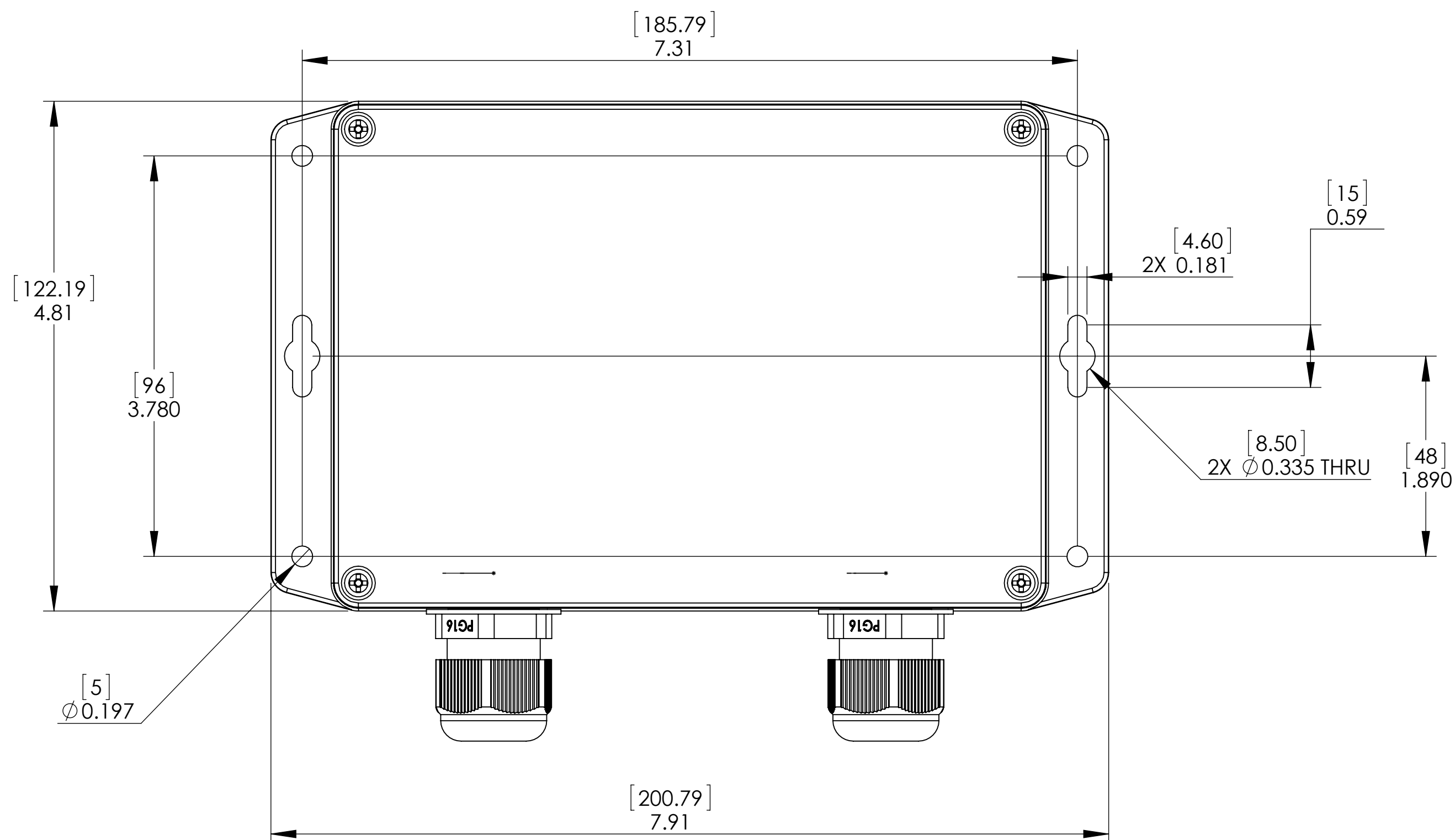


REVISIONS			
REV.	DESCRIPTION	DATE	APPROVED
A	NEW RELEASE	7-29-13	RGB



PART NUMBER ORDERING CODE

MR398-JBPC - C C

CONNECTOR TYPE
C - CABLE GLAND, I.D. .394-.512 [10.0-13.0]

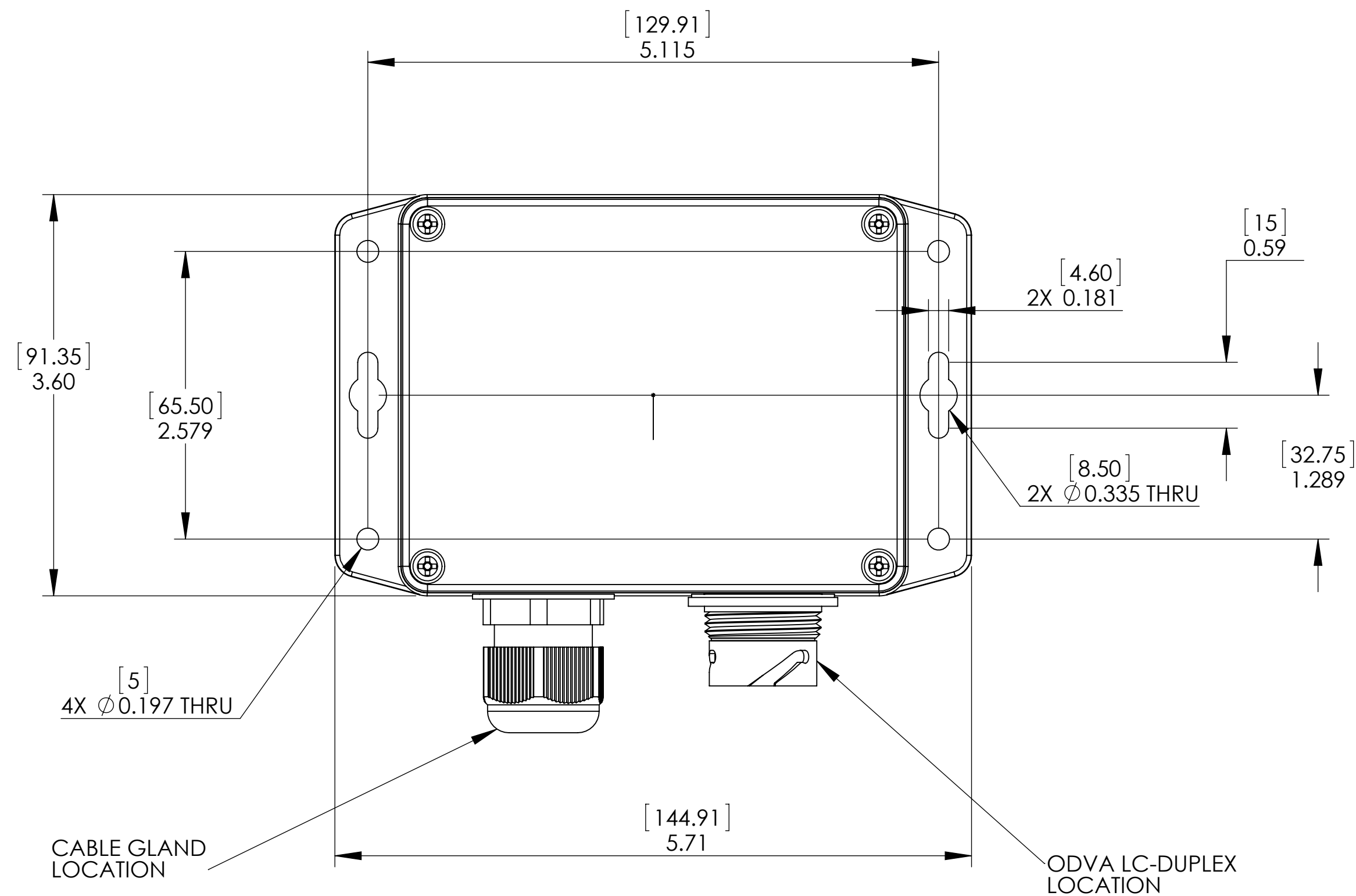
1 WARNING: KEEP CONNECTOR COVERS IN PLACE DURING STORAGE, TO PROTECT FIBER OPTIC INTERFACES.

NOTES: UNLESS OTHERWISE SPECIFIED

UNLESS OTHERWISE SPECIFIED: DIMENSIONS ARE IN INCHES TOLERANCES: ANGULAR: ± .5° TWO PLACE DECIMAL ±.02 THREE PLACE DECIMAL ±.005 FOUR PLACE DECIMAL ±.0010	DRAWN	NAME	DATE	MICRONOR INC. NEWBURY PARK, CA (805) 499-0114
	CHECKED	R BOYER	7-29-13	
	ENG APPR.			
	MFG APPR.			
INTERPRET GEOMETRIC TOLERANCING PER:	Q.A.			TITLE:
MATERIAL	COMMENTS:			JUNCTION BOX, CABLE GLAND-CABLE GLAND
FINISH				SIZE DWG. NO. REV
DO NOT SCALE DRAWING				C MR398-CC A
				SCALE: 1:1 WEIGHT: SHEET 1 OF 1

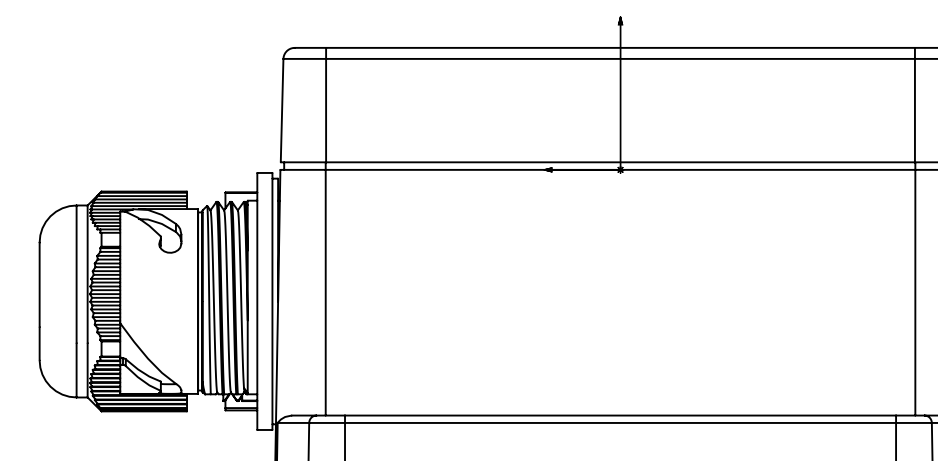
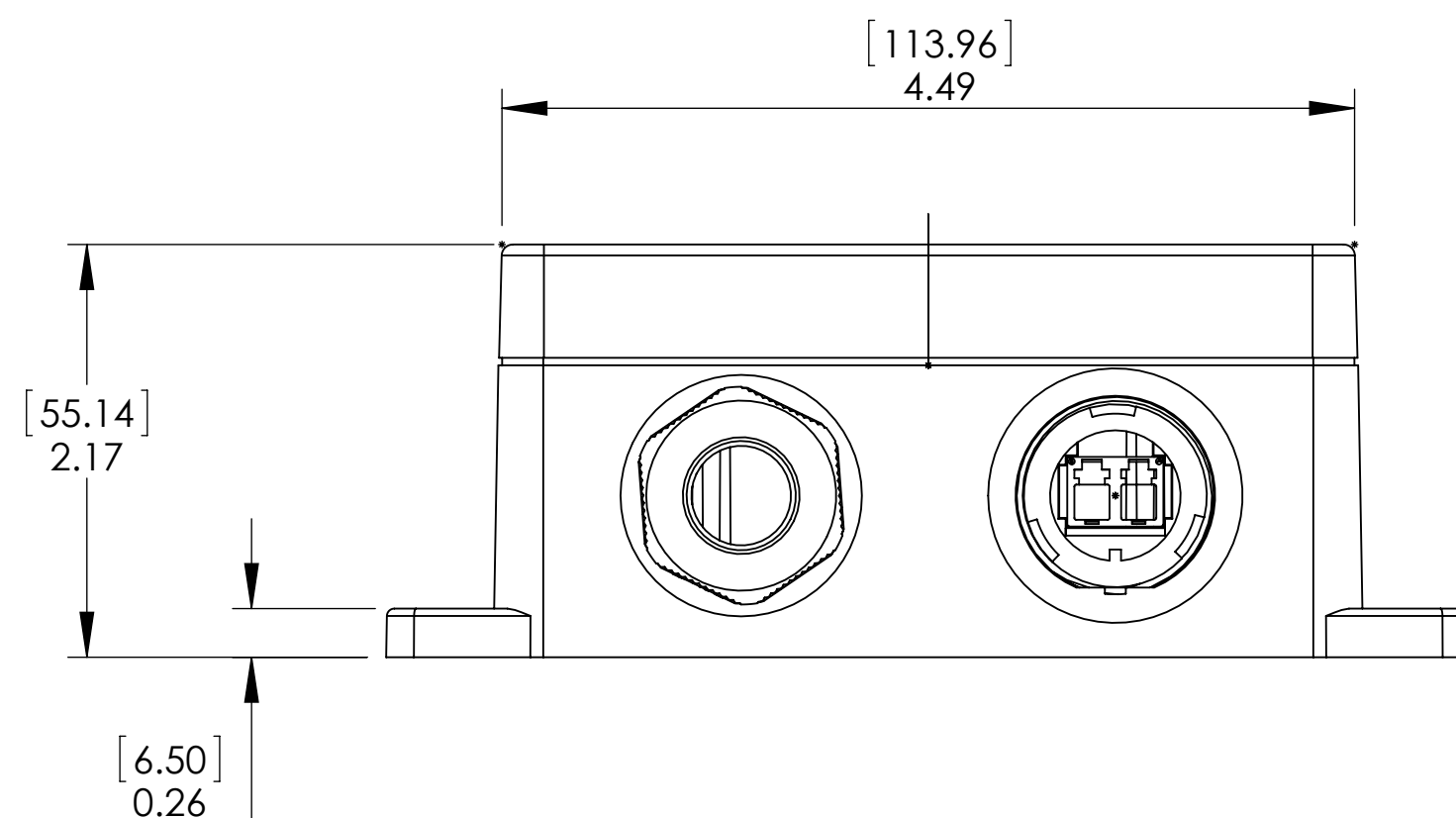
PROPRIETARY AND CONFIDENTIAL
THE INFORMATION CONTAINED IN THIS DRAWING IS THE SOLE PROPERTY OF MICRONOR CORPORATION. ANY REPRODUCTION IN PART OR AS A WHOLE WITHOUT THE WRITTEN PERMISSION OF MICRONOR CORPORATION IS PROHIBITED.

REVISIONS			
REV.	DESCRIPTION	DATE	APPROVED
A	NEW RELEASE	7-29-13	RGB



CABLE GLAND LOCATION

ODVA LC-DUPLEX LOCATION



PART NUMBER ORDERING CODE

MR398-JBPC - C D

CONNECTOR TYPE
D - ODVA LC-DUPLEX

CONNECTOR TYPE
C - CABLE GLAND, I.D. .394-.512 [10.0-13.0]

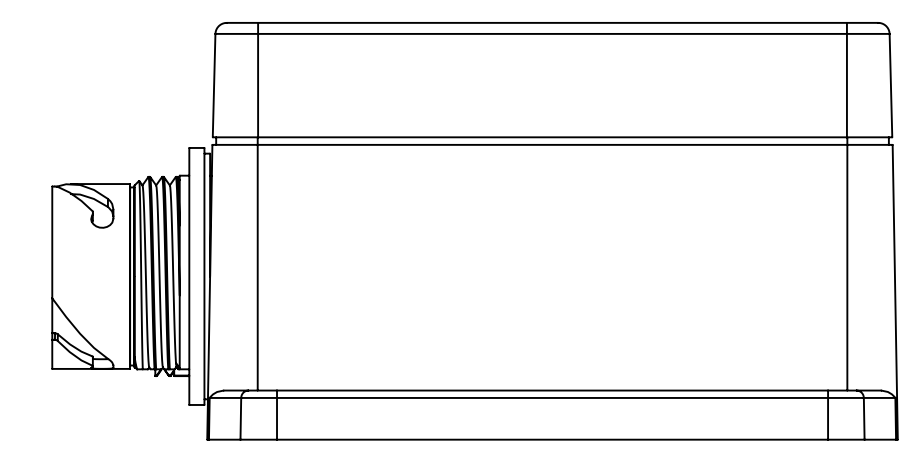
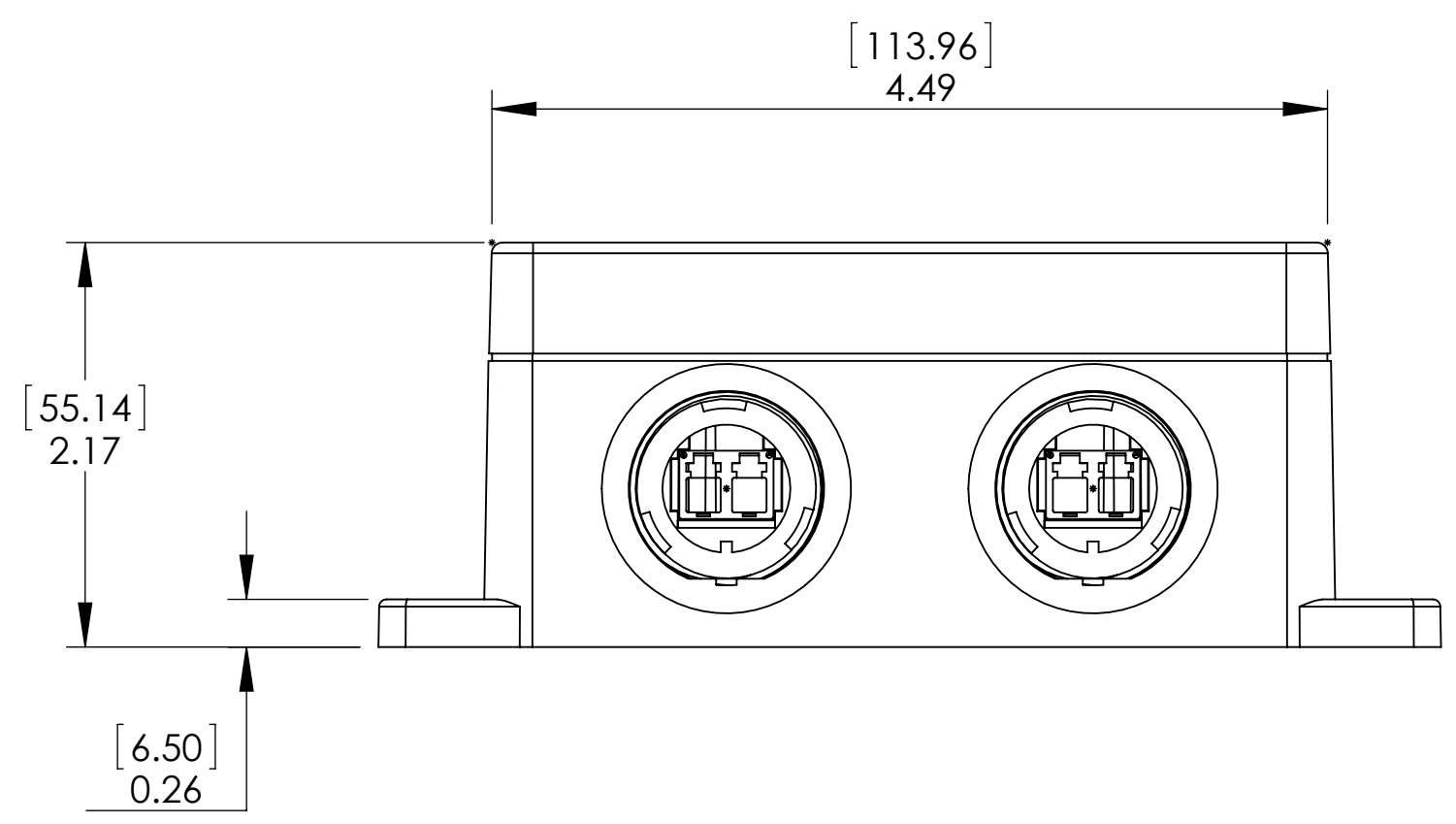
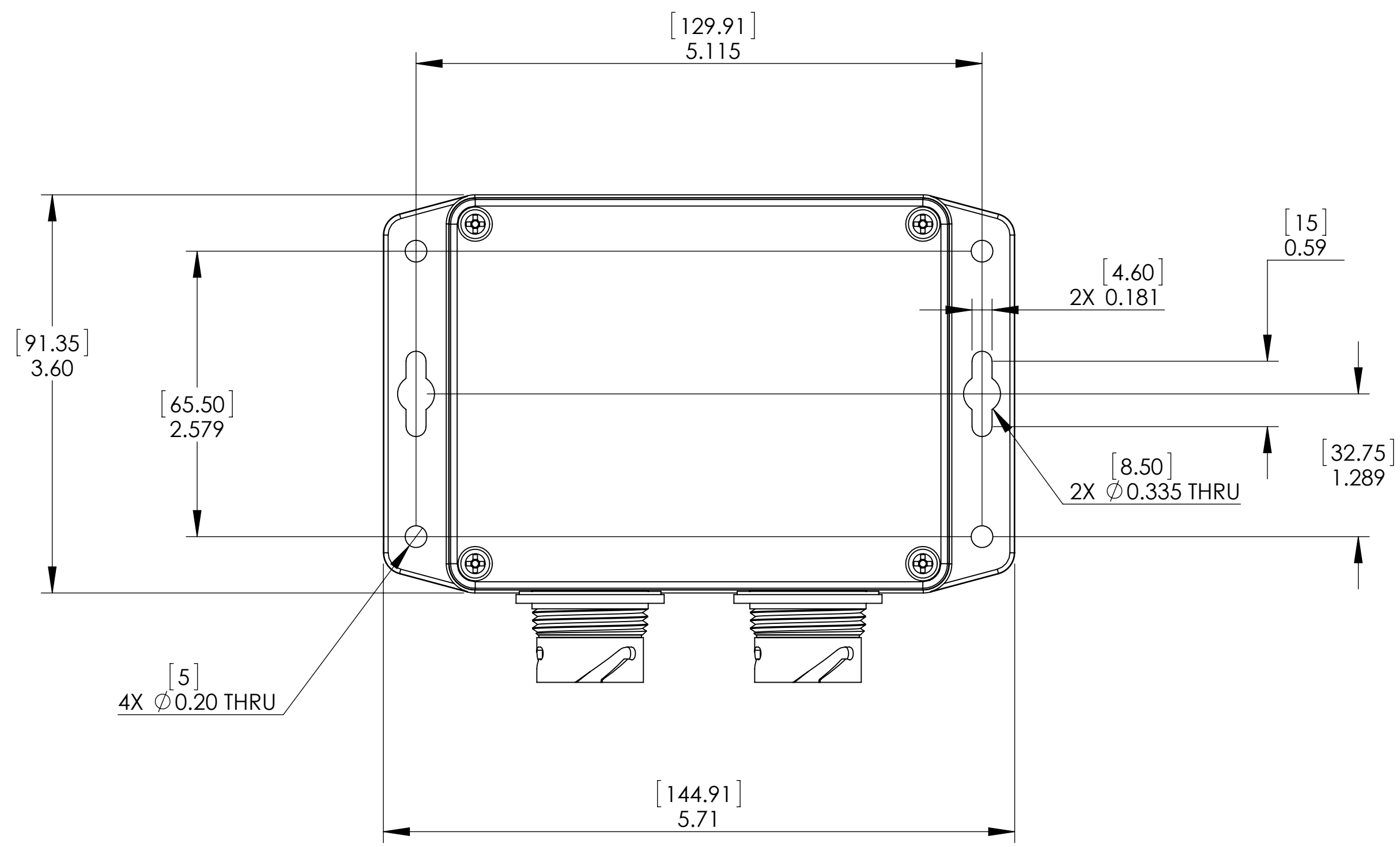
1 WARNING: KEEP CONNECTOR COVERS IN PLACE DURING STORAGE, TO PROTECT FIBER OPTIC INTERFACES.

NOTES: UNLESS OTHERWISE SPECIFIED

PROPRIETARY AND CONFIDENTIAL
THE INFORMATION CONTAINED IN THIS DRAWING IS THE SOLE PROPERTY OF MICRONOR CORPORATION. ANY REPRODUCTION IN PART OR AS A WHOLE WITHOUT THE WRITTEN PERMISSION OF MICRONOR CORPORATION IS PROHIBITED.

UNLESS OTHERWISE SPECIFIED:		NAME	DATE	MICRONOR INC.	
DIMENSIONS ARE IN INCHES	DRAWN	R BOYER	7-29-13	NEWBURY PARK, CA (805) 499-0114	
TOLERANCES:	CHECKED			TITLE:	
ANGULAR: ± .5°	ENG APPR.			JUNCTION BOX,	
TWO PLACE DECIMAL ±.02	MFG APPR.			ODVA-CABLE GLAND	
THREE PLACE DECIMAL ±.005	Q.A.			SIZE	DWG. NO.
FOUR PLACE DECIMAL ±.0010	COMMENTS:			C	MR398-CD
INTERPRET GEOMETRIC TOLERANCING PER:				SCALE: 1:1	WEIGHT:
MATERIAL					SHEET 1 OF 1
FINISH					
DO NOT SCALE DRAWING					

REVISIONS			
REV.	DESCRIPTION	DATE	APPROVED
A	NEW RELEASE	7-29-13	RGB



PART NUMBER ORDERING CODE

MR398-JBPC - D D

CONNECTOR TYPE
D - ODVA LC-DUPLEX

1 WARNING: KEEP CONNECTOR COVERS IN PLACE DURING STORAGE, TO PROTECT FIBER OPTIC INTERFACES.

NOTES: UNLESS OTHERWISE SPECIFIED

UNLESS OTHERWISE SPECIFIED: DIMENSIONS ARE IN INCHES TOLERANCES: ANGULAR: ± .5° TWO PLACE DECIMAL ± .02 THREE PLACE DECIMAL ± .005 FOUR PLACE DECIMAL ± .0010	DRAWN	NAME	DATE	MICRONOR INC. NEWBURY PARK, CA (805) 499-0114 TITLE: JUNCTION BOX, ODVA-ODVA
	CHECKED	R BOYER	7-29-13	
	ENG APPR.			
	MFG APPR.			
INTERPRET GEOMETRIC TOLERANCING PER:	Q.A.	COMMENTS:		SIZE DWG. NO. REV C MR398-DD A
MATERIAL				SCALE: 1:1 WEIGHT: SHEET 1 OF 1
FINISH				
DO NOT SCALE DRAWING				

PROPRIETARY AND CONFIDENTIAL
 THE INFORMATION CONTAINED IN THIS DRAWING IS THE SOLE PROPERTY OF MICRONOR CORPORATION. ANY REPRODUCTION IN PART OR AS A WHOLE WITHOUT THE WRITTEN PERMISSION OF MICRONOR CORPORATION IS PROHIBITED.