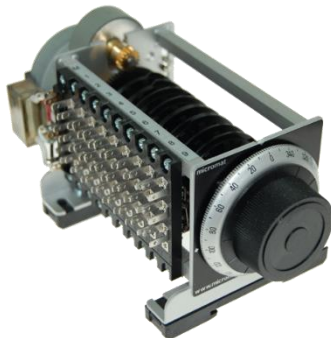


NEB SERIE



for Control units, switching programs

- ➔ Simple time programmer
- ➔ AC and DC motors
- ➔ Mechanical end stop
- ➔ 1-42 work contact (free programmable)

Product description

This high precision cam timer is easy to install and program. The cams can easily be programmed on switching position with included program key. The knob in front is removable for installation in front of your control enclosure. While turning the knob you also have an manual modus.

Application

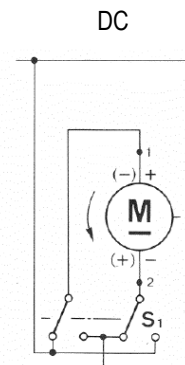
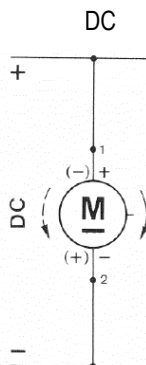
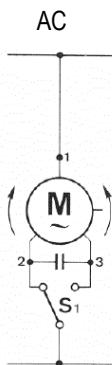
Control units which has to control a program over time.

Technical Data

Motor

Electrical Wiring:

AC and DC motor
(See order code)



Rotary Knob Scale
Display for the program setting
Manual prefix of a certain position

SK360 (0-360°)



For sales or service in North America, contact Micronor Sensors at sales@micronor.com or +1-805-389-6600



NEB SERIE



Microswitch

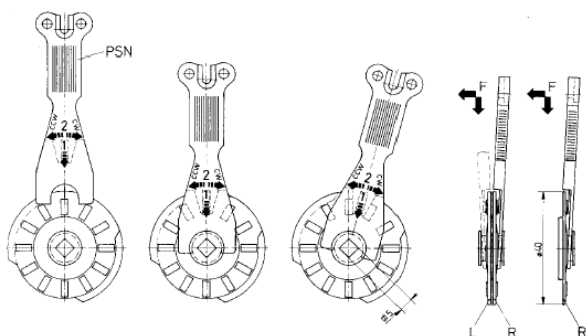
Order code	Picture	Description
0		KS25B4 changeover contact for cable shoe 2.8x0.55mm silver contact switching current 4A 250 VAC / 1A 60VDC
1		KS26B4 changeover contact for cable shoe 2.8x0.55mm gold contact switching current 4A 250 VAC / 1A 60VDC

Transfer resistance	< 25m Ω
Common contact	COM (1)
Normally open contact	NC (2)
Break contact	NO (3)
Double soldering and plug connection	2x2.8 x 0.5mm

Cam disk

Picture	Description
	Double cam
	adjustable with included PSN Key
	Free adjustable from 6°-180°
	Material: Grilon T300

Adjusting guideline of NK cams



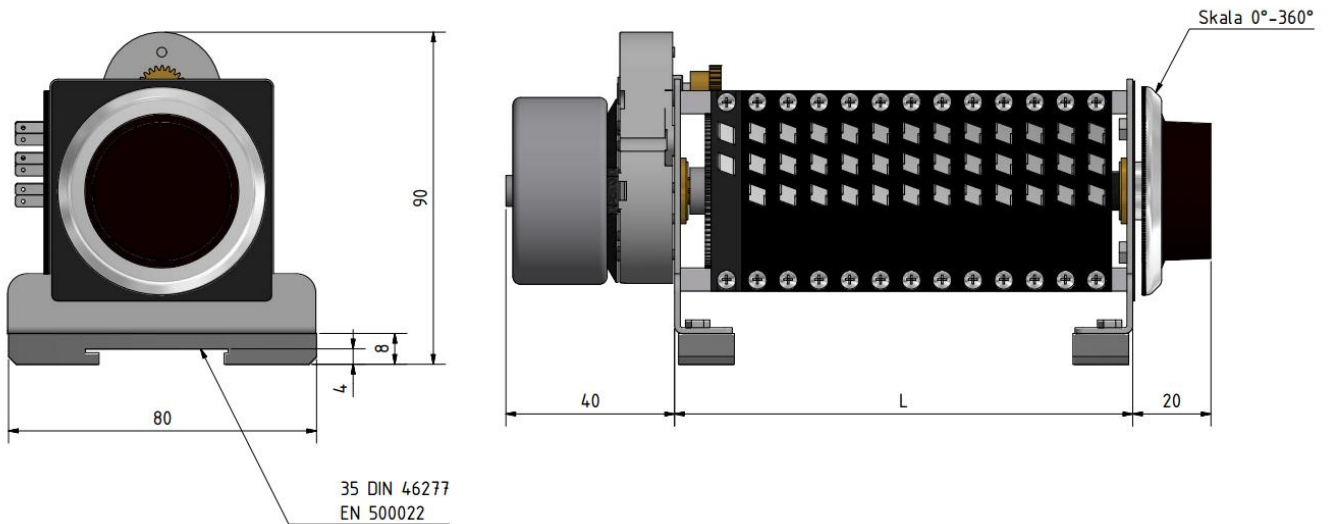
To adjust the NK cam use the PSN key with levelling the cam and turn

NEB SERIE

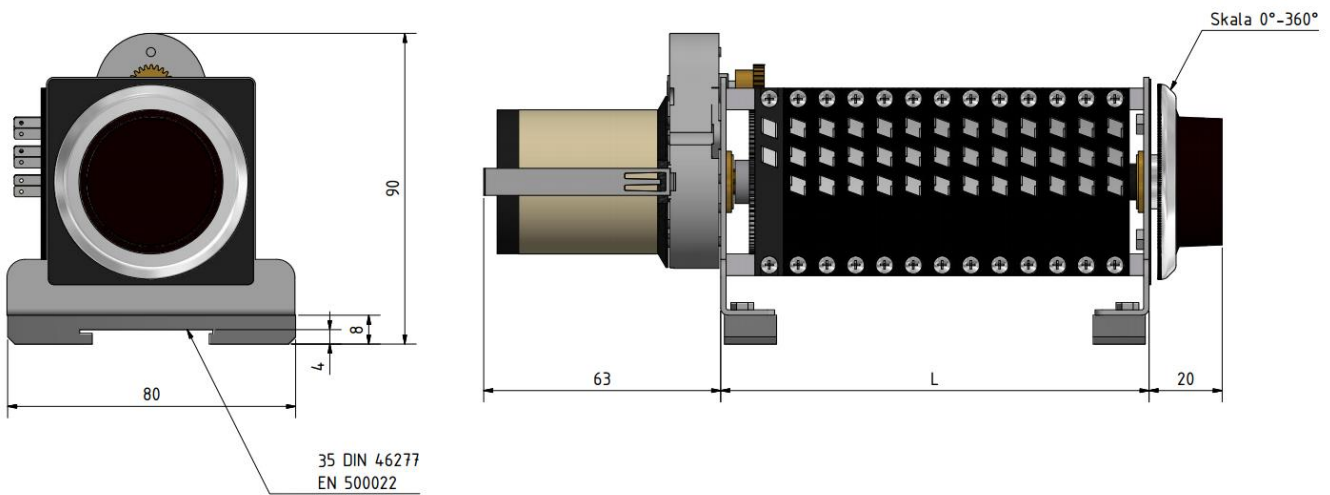


Reference drawing in mm

AC Motor



DC Motor



NEB SERIE



NEW Order Code

NEB

941 x. x x. x x x

CYCLE TIME

- 0 6 sec
- 1 15 sec
- 2 20 sec
- 3 30 sec
- 4 60 sec
- 5 10 min
- 6 20 min
- 7 30 min
- 8 60 min
- 9 12 h

SYNCHRONUS MOTOR

- | | | | |
|---|------------|------|----|
| 1 | 24V | 50Hz | AC |
| 2 | 48...50V | 50Hz | AC |
| 3 | 110...120V | 50Hz | AC |
| 4 | 220...240V | 50Hz | AC |
| 5 | 24V | | DC |
| 6 | 12V | | DC |
| 7 | 24V | 60Hz | AC |
| 8 | 48...50V | 60Hz | AC |
| 9 | 110...120V | 60Hz | AC |
| 0 | 220...240V | 60Hz | AC |

NUMBER OF SWITCH

- 0 3 switches
- 1 4 switches
- 2 6 switches
- 3 9 switches
- 4 12 switches
- 5 15 switches (switches on both sides 7 / 8)
- 6 18 switches (switches on both sides 9 / 9)
- 7 30 switches (switches on both sides 15 / 15)
- 8 36 switches (switches on both sides 18 / 18)
- 9 42 switches (switches on both sides 21 / 21)

TYPE OF SWITCH

- 0 KS25B4 changeover contact for cable shoe 2.8x0.55mm silver contact
- 1 KS26B4 changeover contact for cable shoe 2.8x0.55mm gold contact

CAM

- 0 double cam NK4201

CAM PROFILE

- 0 20° recess
- 1 60° recess
- 2 90° recess
- 3 180° recess
- 4 Blinker cam 15x12°
- 5 20° Increase
- 6 60° Increase
- 7 90° Increase
- 8 180° Increase

Serie NEB

OLD Order Code - Use if your requirements are not covered by the NEW Order Code

NEB41 / NEB42 03 S1 C1

NEB41: Switches on left
NEB42: Switches on both sides

Dimension / Size (mm) / Number of switches (NEB42 always x2 compared with NEB41!):

3 -->Dimension:
47 mm -->Size (L)
03 = 3 Switches
3 Program channels free setting (NK4201)
1 Program key (PSN)

6 -->Dimension:
71 mm -->Size (L)
06 = 6 Switches
6 Program channels free setting (NK4201)
1 Program key (PSN)

9 -->Dimension:
95 mm -->Size (L)
09 = 9 Switches
9 Program channels free setting (NK4201)
1 Program key (PSN)

24 -->Dimension:
223 mm -->Size (L)
118 mm -->Size (D)
24 = 24 Switches
24 Program channels free setting (NK4201)
1 Program key (PSN)

Other available Dimensions: 12, 15, 18, 21, 30, 36, 42

Size (L + D): always + 24 mm

Cycle times:

S1 = 3s	M1 = 2min.	H1 = 2h
S2 = 3,6s	M2 = 3min.	H2 = 3h
S3 = 4,5s	M3 = 3,6min.	H3 = 3,6h
S4 = 6s	M4 = 4,5min.	H4 = 4,5h
S5 = 7,5s	M5 = 6min.	H5 = 6h
S6 = 10s	M6 = 7,5min.	H6 = 7,2h
S7 = 12s	M7 = 10min.	H7 = 10h
S8 = 15s	M8 = 12min.	H8 = 12h
S9 = 20s	M9 = 15min.	H9 = 24h
S10 = 30s	M10 = 20min.	
S11 = 36s	M11 = 30min.	
S12 = 45s	M12 = 36min.	
S13 = 60s	M13 = 45min.	
S14 = 90	M14 = 60min.	
	M15 = 90min.	

Synchronous motor: Power supply (AC / DC) Frequency 50Hz (60Hz) --> ?

	CW	CCW	
C1 = 24	/ 24V		AC
C2 = 48	/ 48...	50V	AC
C3 = 110	/ 110...	120V	AC
C4 = 220	/ 220...	240V	AC
G1 = 24	/ 24V	± 0.1	DC

Technische Änderungen vorbehalten / Subject to change without prior notice