

# R11WC107

SIZE 11 BRUSHLESS RESOLVER WITH SHAFT

**MICRONOR**  
automation components

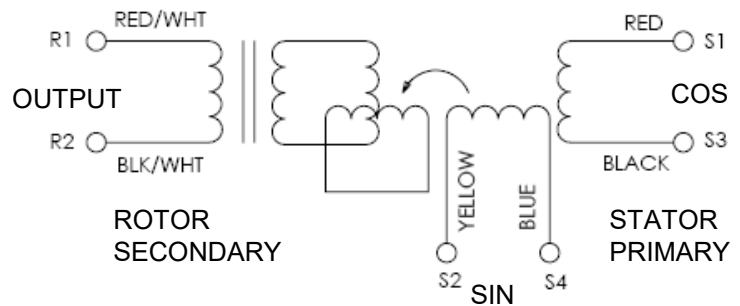
## Products

R11WC107 is a Size 11, Control Transformer-type 1-Speed Brushless Resolver equivalent to Micron and Harowe 11BRW-300-C...series. It is a 1-speed resolver, optimized for 400 Hz excitation, TR=1.93 and  $\pm 7$  arcmin ( $0.12^\circ$ ) accuracy.



## Diagram

Lead Color	Function
Red/White	Rotor 1
Black/White	Rotor 2
Red	Stator 1
Yellow	Stator 2
Black	Stator 3
Blue	Stator 4



Phasing Equation:  

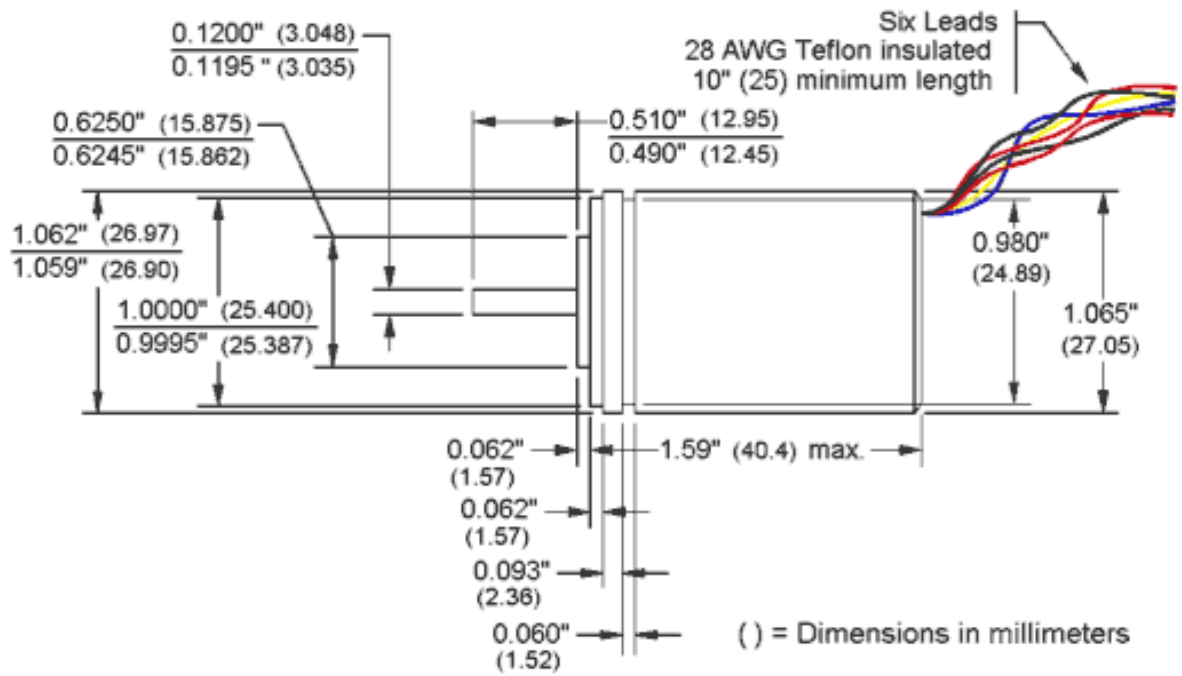
$$E (R1-R2) = K * [E(S1-S3) \cos\theta + E(S2-S4) \sin\theta]$$

## Specifications

Specifications Subject To Change Without Notice

Parameters measured at 25 °C

Speed	1
Excitation Frequency	400 Hz $\pm 5\%$
Transformation Ratio (TR)	1.93 $\pm 5\%$
Input Voltage and Frequency	12.0 V, 400 Hz
Input Current	9 mA max.
Input Power	45 mW max.
Output Voltage	23.0 V
Impedances (Ohms)	
ZRO	5900 + j8600
ZRS	5700 + j3900
ZSO	550 + j1150
ZSS	640 + j620
Phase Shift (Degree Leading)	12°
DC Rotor Resistance (Ohms)	2000 $\Omega$
DC Stator Resistance (Ohms)	200 $\Omega$
Total Null Voltage (mV)	20 mV
Accuracy Max Error (at 25°C)	$\pm 7$ arcmin ( $0.12^\circ$ )
Shaft Loading (Max.)	2 lbs. radial / 1 lbs. axial
Starting Torque	0.08 oz-in
Moment of Inertia	$0.51 \times 10^{-4}$ oz-in-sec <sup>2</sup>
Operating Temperature	-40°C to +125°C



For Thomson Micron or Harowe replacement, order:  
**R11WC107**

Related Items:

- R11BHW50FF533 replaces Micron 73-206-879 / Clifton 11-BHW-50F/F533B
- R11XJ107 replaces Micron 73-206-879 / Harowe 11BRCX-300-J95C
- R11WF103 replaces Micron 73-202-730 / Harowe 11BRCT-300-F95A

For additional technical information, contact Micronor and request:

- MICRON Replacement Position Transducers Data Sheet

**MICRONOR INC.**

900 Calle Plano, Suite K  
Camarillo, CA 93012  
USA  
T +1-805-389-6600  
F +1-805-389-6605  
sales@micronor.com  
www.micronor.com

**MICRONOR AG**

Pumpwerkstrasse 32  
CH-8105 Regensdorf  
Switzerland  
T +41-44-843-4020  
F +41-44-843-4039  
sales@micronor.ch  
www.micronor.com