

# R11WF103

SIZE 11 BRUSHLESS RESOLVER WITH SHAFT

**MICRONOR**  
automation components

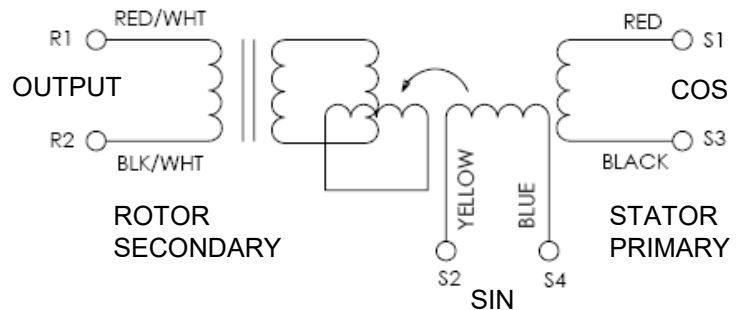
**Products** R11WF103 is a Size 11, Control Transformer-type Brushless Resolver, Single Speed, Excitation frequency 2500 Hz, TR=0.5 and  $\pm 3$  arcmin (0.05°) accuracy.

- Replacement for Micron 73-202-730
- Replacement for Harowe 11BRW-300-F.. series, including: 11BRW-300-F95A, 11BRW-300-F1/3 11BRW-300-F1/6 and 11BRW-300-F1/10
- Replacement for Kearfott CR4109-5004



## Diagram

Lead Color	Function
Red/White	Rotor 1
Black/White	Rotor 2
Red	Stator 1
Yellow	Stator 2
Black	Stator 3
Blue	Stator 4



Phasing Equation:  

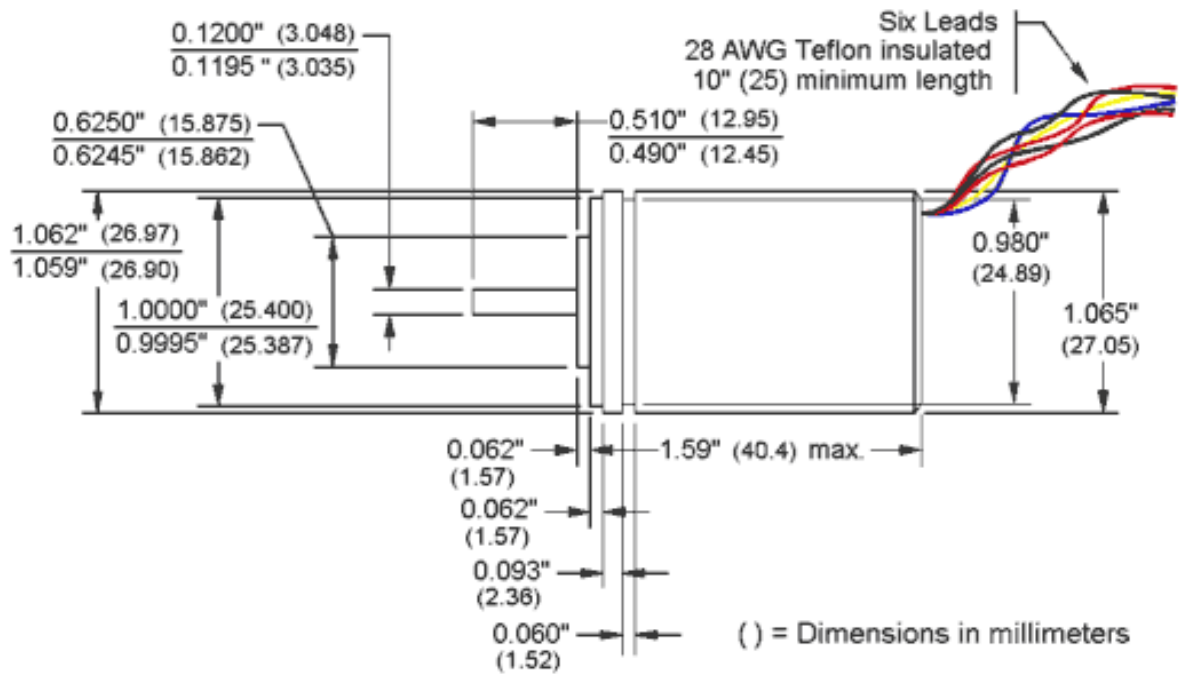
$$E (R1-R2) = K * [E(S1-S3) \cos\theta + E(S2-S4) \sin\theta]$$

## Specifications

Specifications Subject To Change Without Notice

Parameters measured at 25 °C

Speed	1
Excitation Frequency	2500 Hz $\pm 5\%$
Transformation Ratio (TR)	0.5 $\pm 5\%$
Input Voltage and Frequency	12.0 V, 2500 Hz
Input Current	10 mA max.
Input Power	21 mW max.
Output Voltage	6.0 V
Impedances (Ohms)	
ZRO	430 + j740
ZRS	260 + j450
ZSO	530 + j1230
ZSS	370 + j740
Phase Shift (Degree Leading)	+5°
DC Rotor Resistance (Ohms)	40 $\Omega$
DC Stator Resistance (Ohms)	132 $\Omega$
Total Null Voltage (mV)	15 mV
Accuracy Max Error (at 25°C)	$\pm 3$ arcmin (0.05°)
Shaft Loading (Max.)	2 lbs. radial / 1 lbs. axial
Starting Torque	0.08 oz-in
Moment of Inertia	0.51 x 10 <sup>-4</sup> oz-in-sec <sup>2</sup>
Operating Temperature	-40°C to +125°C



For Harowe or Thomson Micron replacements, order:  
**R11WF103**

Related Items:

- R11BHW50FF533 replaces Micron 73-206-879 / Clifton 11-BHW-50F/F533B
- R11XJ107 replaces Micron 73-206-879 / Harowe 11BRCX-300-J95C

For additional technical information, contact Micronor and request:

- MICRON Replacement Position Transducers Data Sheet

**MICRONOR SENSORS, INC.**

2085 Sperry Ave, Suite A-1  
Ventura, CA 93003  
USA

+1-805-389-6600  
sales@micronor.com  
[www.micronor.com](http://www.micronor.com)

**MICRONOR AG**

Pumpwerkstrasse 32  
CH-8105 Regensdorf  
Switzerland  
+41-44-843-4020  
sales@micronor.ch  
[www.micronor.com](http://www.micronor.com)