

# R11X2J1020

SIZE 11 BRUSHLESS RESOLVER WITH SHAFT

**MICRONOR**  
automation components

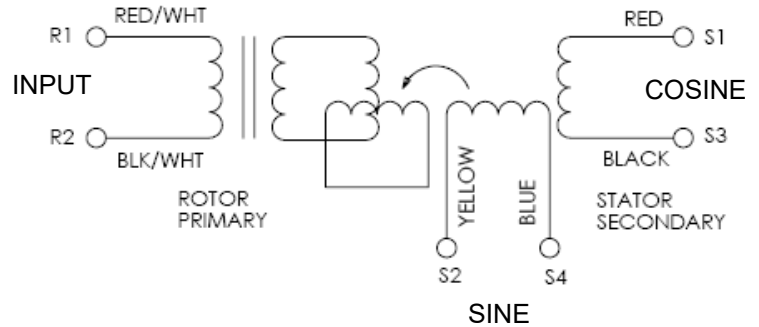
## Products

R11X2J1020 is a Size 11, Control Transmitter-type Brushless Resolver which is a replacement for Micron 73-204-688 or Harowe 11BRCX-300-W series or Harowe 11BRCX-300-M series. It is a 2-speed resolver, optimized for 5 kHz operation, TR=0.95 and  $\pm 20$  arcmin ( $0.33^\circ$ ) accuracy.



## Diagram

Lead Color	Function
Red/White	Rotor 1
Black/White	Rotor 2
Red	Stator 1
Yellow	Stator 2
Black	Stator 3
Blue	Stator 4



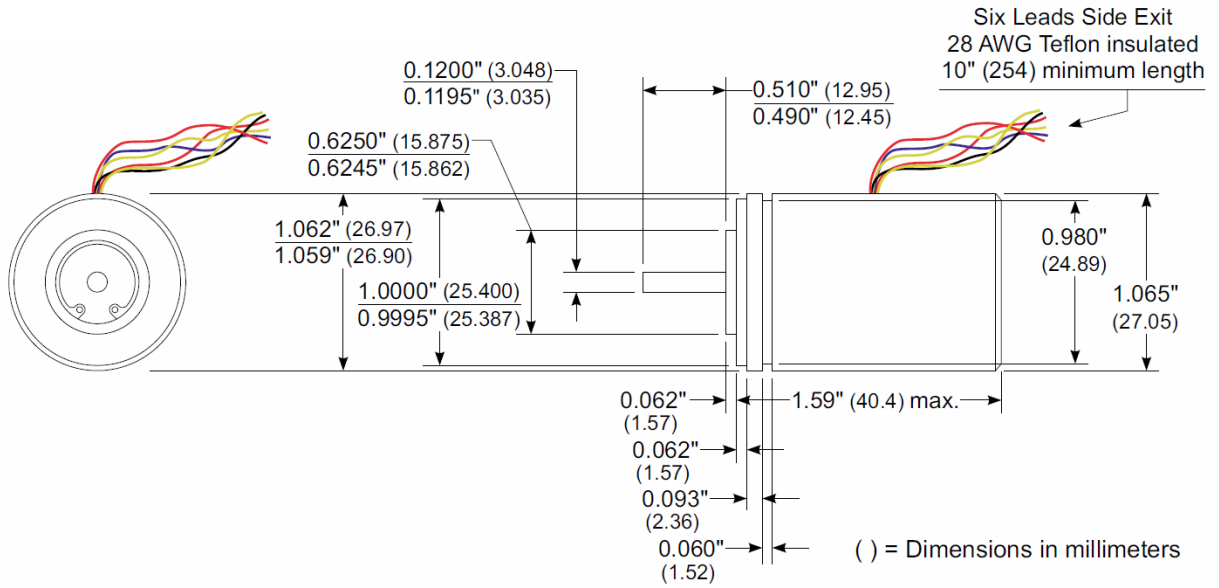
## Specifications

Specifications Subject To Change Without Notice

Parameters measured at 25 °C

Speed	2
Excitation Frequency	5 kHz $\pm 5\%$
Transformation Ratio (TR)	0.95 $\pm 5\%$
Input Voltage and Frequency	7.0V, 5 kHz
Input Current	22mA max.
Input Power	95mW max.
Output Voltage	3.9V
Impedances (Ohms)	
ZRO	200 + j235
ZRS	160 + j192
ZSO	480 + j1980
ZSS	480 + j1950
Phase Shift (Degree Leading)	-6° max.
DC Rotor Resistance (Ohms)	16 $\Omega$
DC Stator Resistance (Ohms)	61 $\Omega$
Total Null Voltage (mV)	15mV
Accuracy Max Error (at 25°C)	$\pm 20$ arcmin ( $0.33^\circ$ )
Shaft Loading (Max.)	6 lbs. radial / 3 lbs. axial
Starting Torque	0.3 oz-in @ 25°C
Moment of Inertia	0.51 x 10 <sup>-4</sup> oz-in-sec <sup>2</sup>
Weight	150 g max. (3.5 oz)
Operating Temperature	-40°C to +125°C
Environmental Rating	IP40

Reference Drawing



Ordering Info

Micronor P/N R11X2J1020

**MICRONOR INC.**

900 Calle Plano, Suite K  
Camarillo, CA 93012  
USA  
T +1-805-389-6600  
F +1-805-389-6605  
sales@micronor.com  
www.micronor.com

**MICRONOR AG**

Pumpwerkstrasse 32  
CH-8105 Regensdorf  
Switzerland  
T +41-44-843-4020  
F +41-44-843-4039  
sales@micronor.ch  
www.micronor.com