

R11XA107

SIZE 11 BRUSHLESS RESOLVER WITH SHAFT

MICRONOR
automation components

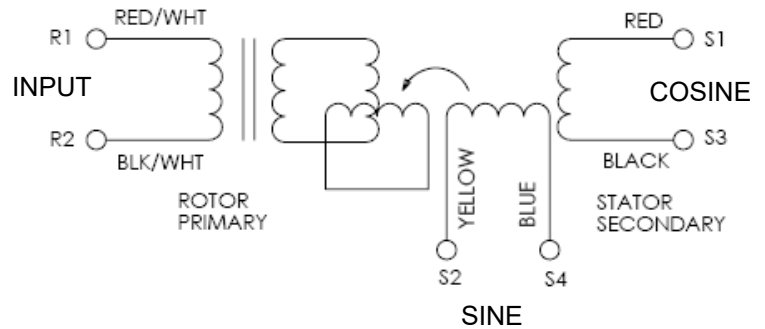
Products

R11XA107 is a Size 11, Control Transmitter-type Brushless Resolver equivalent to Harowe 11BRCX-300-A95. It is a single speed resolver, optimized for 4000 Hz operation, TR=0.54 and ± 7 arcmin (0.12°) accuracy.



Diagram

Lead Color	Function
Red/White	Rotor 1
Black/White	Rotor 2
Red	Stator 1
Yellow	Stator 2
Black	Stator 3
Blue	Stator 4

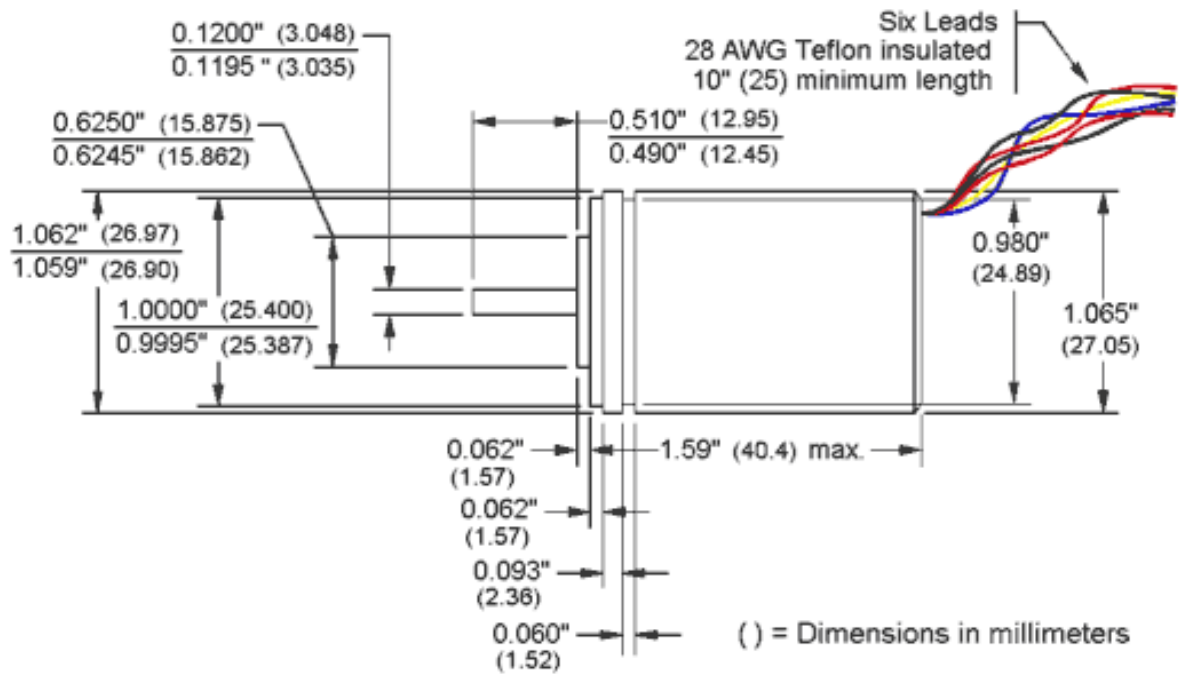


Specifications

Specifications Subject To Change Without Notice

Parameters measured at 25 °C

Speed	1
Excitation Frequency	4000 Hz $\pm 5\%$
Transformation Ratio (TR)	0.54 $\pm 5\%$
Input Voltage and Frequency	7.5V, 4000 Hz
Input Current	16mA max.
Input Power	87mW max.
Output Voltage	4.0 V
Impedances (Ohms)	
ZRO	220 +j206
ZRS	134 + j173
ZSO	197 + j244
ZSS	114 + j196
Phase Shift (Degree Leading)	-2°
DC Rotor Resistance (Ohms)	16 Ω
DC Stator Resistance (Ohms)	40 Ω
Total Null Voltage (mV)	15
Accuracy Max Error (at 25°C)	± 7 arcmin (0.117°)
Shaft Loading (Max.)	2 lbs. radial / 1 lbs. axial
Starting Torque	0.08 oz-in
Moment of Inertia	0.51 x 10 ⁻⁴ oz-in-sec ²
Starting Torque	0.08 oz-in
Operating Temperature	-40°C to +125°C



Order: **R11XA107**

Related Items:

- R11BHW50FF533 replaces Micron 73-206-879 / Clifton 11-BHW-50F/F533B
- R11XA107 replaces Harowe 11BRCX-300-A95
- R11XC107 replaces Micron 73-204-860 / Harowe 11BRCX-300-C95/6
- R11XG1071 replaces Micron 73-205-144 / Harowe 11BRCX-300-G95/6
- R11XJ107 replaces Micron 73-204-671 / Harowe 11BRCX-300-J95C
- R11WF103 replaces Micron 73-202-730 / Harowe 11BRW-300-F95A

For additional technical information, contact Micronor and request:

- MICRON Replacement Position Transducers Data Sheet

MICRONOR SENSORS INC..

2085 Sperry Ave, Suite A-1
Ventura, CA 93003 USA
T +1-805-389-6600
F +1-805-389-6605
sales@micronor.com
www.micronor.com

MICRONOR AG

Pumpwerkstrasse 32
CH-8105 Regensdorf
Switzerland
T +41-44-843-4020
F +41-44-843-4039
sales@micronor.ch
www.micronor.com