

# R11XG1071

SIZE 11 BRUSHLESS RESOLVER WITH SHAFT

**MICRONOR**  
automation components

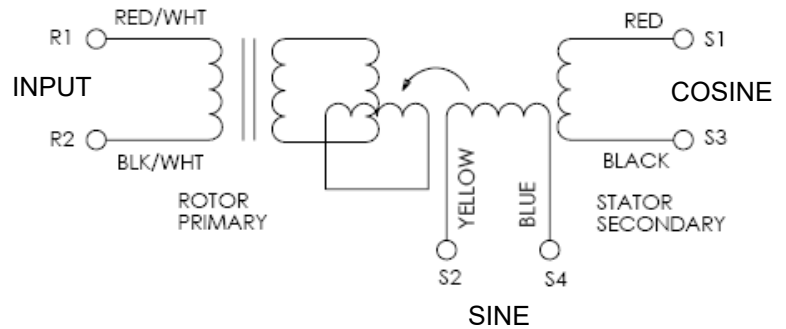
## Products

R11XG1071 is a Size 11, Control Transmitter-type Brushless Resolver equivalent to Micron 73-205-144 and Harowe 11BRCX-300- G95/6. It is a single speed resolver, optimized for 400 Hz operation, TR=0.45 and  $\pm 7$  arcmin ( $0.12^\circ$ ) accuracy.



## Diagram

Lead Color	Function
Red/White	Rotor 1
Black/White	Rotor 2
Red	Stator 1
Yellow	Stator 2
Black	Stator 3
Blue	Stator 4



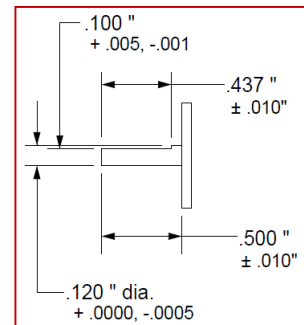
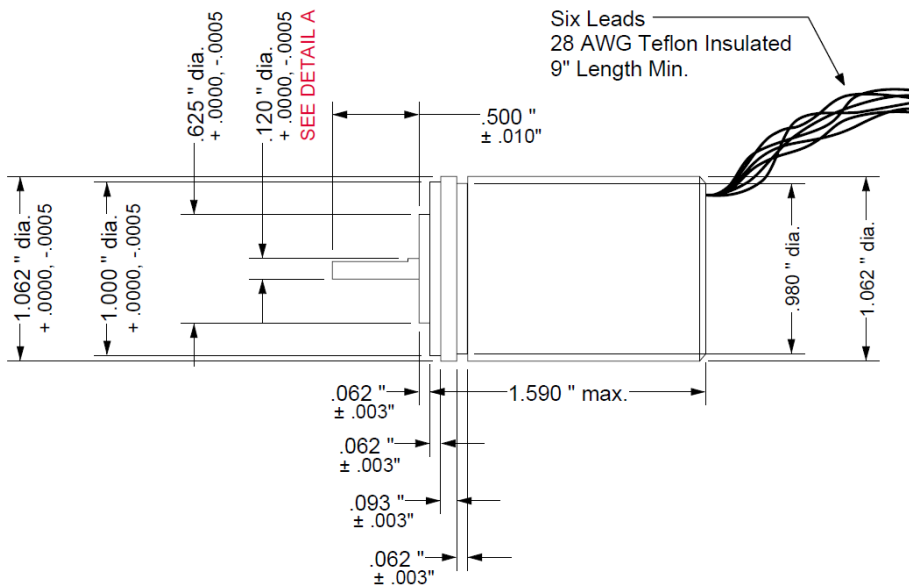
## Specifications

Specifications Subject To Change Without Notice

Parameters measured at 25 °C

Speed	1
Excitation Frequency	400 Hz $\pm 5\%$
Transformation Ratio (TR)	0.45 $\pm 5\%$
Input Voltage and Frequency	26.0V, 400 Hz
Input Current	50mA max.
Input Power	700mW max.
Output Voltage	11.8 V
Impedances (Ohms)	
ZRO	250 +j350
ZRS	266 + j270
ZSO	420 + j260
ZSS	414 + j180
Phase Shift (Degree Leading)	14°
DC Rotor Resistance (Ohms)	40 $\Omega$
DC Stator Resistance (Ohms)	130 $\Omega$
Total Null Voltage (mV)	30
Accuracy Max Error (at 25°C)	$\pm 7$ arcmin ( $0.117^\circ$ )
Shaft Loading (Max.)	2 lbs. radial / 1 lbs. axial
Starting Torque	0.08 oz-in
Moment of Inertia	0.51 x 10 <sup>-4</sup> oz-in-sec <sup>2</sup>
Starting Torque	0.08 oz-in
Operating Temperature	-40°C to +125°C

# Reference Drawing



# Ordering Info

**Order: R11XG1071**

**Related Items:**

- R11BHW50FF533 replaces Micron 73-206-879 / Clifton 11-BHW-50F/F533B
- R11XA107 replaces Harowe 11BRCX-300-A95
- R11XC107 replaces Micron 73-204-860 / Harowe 11BRCX-300-C95/6
- R11XG1071 replaces Micron 73-205-144 / Harowe 11BRCX-300-G95/6
- R11XJ107 replaces Micron 73-204-671 / Harowe 11BRCX-300-J95C
- R11WB1071 replaces Micron 73-202-881 / Harowe 11BRW-300-B95
- R11WF103 replaces Micron 73-202-730 / Harowe 11BRW-300-F95A

For additional technical information, contact Micronor and request:

- MICRON Replacement Position Transducers Data Sheet

**MICRONOR INC.**

900 Calle Plano, Suite K  
 Camarillo, CA 93012  
 USA  
 T +1-805-389-6600  
 F +1-805-389-6605  
 sales@micronor.com  
 www.micronor.com

**MICRONOR AG**

Pumpwerkstrasse 32  
 CH-8105 Regensdorf  
 Switzerland  
 T +41-44-843-4020  
 F +41-44-843-4039  
 sales@micronor.ch  
 www.micronor.com